

KENWOOD

KCA-iP500

iPod® INTERFACE

INSTRUCTION MANUAL

INTERFACE iPod®

MODE D'EMPLOI

iPod®-Schnittstelle

BEDIENUNGSANLEITUNG

iPod® INTERFACE

GEBRUIKSAANWIJZING

INTERFACCIA di iPod®

ISTRUZIONI PER L'USO

INTERFAZ iPod®

MANUAL DE INSTRUCCIONES

iPod® 界面

使用説明書

Kenwood Corporation

Contents

What You Need to Get Started **3**

- Controllable iPod
- Connectable Control unit
- Characters may not be displayed on Control unit
- Cautions for Usage

Connection and Setup **4**

Playing a Song in iPod **6**

- Playing a song
- Forward search/reverse search for song selection
- Pausing a song

Selecting a Song **7**

- About displayed items
- Selecting Browsing (Music menu) Item
- Selecting a title (title of Playlist or Album, for example)
- Selecting a song
- Direct searching

Setting Up iPod for Playing **9**

- Shuffling and playing all your songs
- Shuffling and playing songs by title
- Repeating a song

Troubleshooting Guide **10**

Specifications **11**

What You Need to Get Started

Controllable iPod

You can control the following types of iPod with Dock connector from a Control unit via KCA-iP500.

Controllable iPod	Software Version
iPod with Dock connector (3rd generation)	iPod software ver.2.2
iPod with Click Wheel (4th generation)	iPod software ver.3.0.2
iPod mini	iPod mini software ver.1.2
iPod photo	iPod photo software ver.1.0

If your iPod software version is older than those mentioned above, you must update the software version.

To view the iPod software version, press the [MENU] button on iPod, then select "Settings" in the menu to open the "Settings" screen and select "About". The iPod software version will be displayed on the "Version" row in the "About" screen.

You can download the latest iPod Updater from the Apple Web site.

Connectable Control unit

Kenwood Control units released in 2003 and later, having CD changer connecting option, are supported.

It should be noted that a display problem and may occur in some of the above Kenwood Control units. For more details, access the following URL:

<http://www.kenwood.com/i/kca-ip500/index.html>

Characters may not be displayed on Control unit

Only characters conforming to the ISO8859-1 character set can be displayed on Control unit via KCA-iP500. Other characters will be displayed as "?" or spaces.

Displayable character types and number of characters may vary depending on the Control unit model.

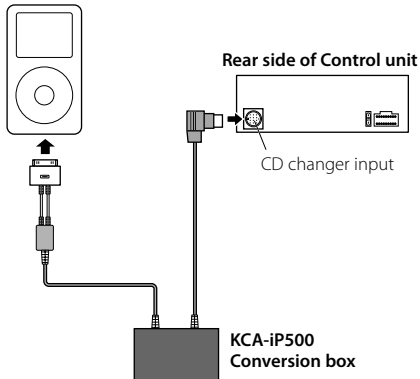
- Entire title name may not be displayed even on Control unit with the character scrolling function.
- When connected to the Control unit without the CD TEXT (disc title) display function, selected Browsing item cannot be viewed in the display area. In this case, slide the "1" of the "SELECT SWITCH" on the front panel of conversion box to up position (switching to the "Browsing item selection disabled") (page 5).

Cautions for Usage

- Sound distortion may result when connecting iPod to KCA-iP500 with its EQ (equalizer) function enabled.
- When iPod is disconnected from KCA-iP500, the iPod settings on Shuffle and Repeat may have changed and differ from those set before connecting it to KCA-iP500. Reset the settings as necessary.
- When "KENWOOD" is displayed on the iPod screen, while iPod is connected to or immediately after disconnected from KCA-iP500, you cannot operate the iPod.
- "All" cannot be selected for Repeat option. (Only songs in the current title can be repeated.)
- Remove all the accessories such as headphones from iPod before connecting to KCA-iP500. When iPod is connected to KCA-iP500 with its accessories connected, you cannot control iPod.
- Do not leave iPod in a car. iPod may be damaged due to direct sunlight, high temperature, etc.

Connection and Setup

iPod (commercially available)



- For instructions on how to connect KCA-iP500 to Control unit, see the Instruction Manual for Control unit.

Included parts for installation

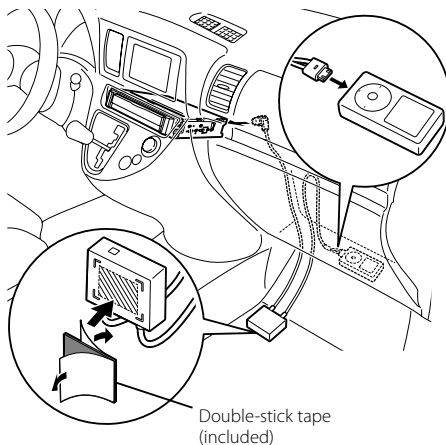
- Double-stick tape (45mm X 45mm).....1

Power supply function

KCA-iP500 supplies power to the connected iPod and charges its battery while playing music. However, the Control unit must be turned on.

Installation

- Install iPod in an appropriate location such as the glove compartment.



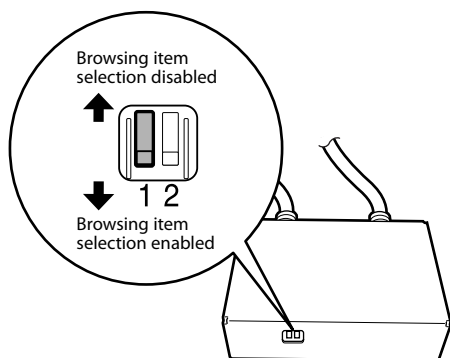
- Install the conversion box as far as possible from the center unit. Noise may be generated during radio reception.
- Avoid placing iPod where it could fall. The iPod may interfere with driving operation of the vehicle resulting in an accident.
- Route and install cables so that they are not exposed to direct sunlight. Cables exposed to direct sunlight are deformed and becomes unusable.
- Avoid installing the conversion box where it may get wet.
- Secure the cables with commercially available cable clamps as necessary.

Setting Browsing item selection

When connecting KCA-iP500 to Control unit without the CD TEXT (disc title) display function, it is recommended that you slide the "1" of the "SELECT SWITCH" on the front panel of conversion box to the up position. Selected Browsing (page 7) item cannot be viewed on Control unit without the disc title display function.

When you slide the "1" of the "SELECT SWITCH" to up position (switching to the "Browsing item selection disabled"), Browsing item is locked on to "Playlist" and selection is disabled.

Title number 1 in Playlist in this unit corresponds to the "Songs" in Browsing (Music menu) items.



- Set the "SELECT SWITCH" before connecting KCA-iP500 to Control unit. If KCA-iP500 is already connected, press the reset button on Control unit.
- For more details, access the following URL:
<http://www.kenwood.com/i/kca-ip500/index.html>

Setting Title Number Display Mode

When connecting KCA-iP500 to the following Control units, it is recommended that you slide the "2" of the "SELECT SWITCH" on the front panel of the conversion box to the up position:

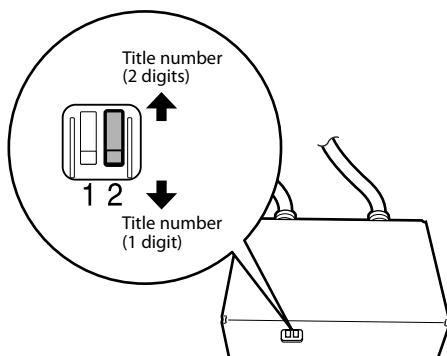
Models subject to recommended setting change:

KVT-915DVD, KVT-925DVD, KVT-935DVD, KVT-945DVD, KVT-965DVD, KVT-815DVD, KVT-715DVD, KVT-725DVD, KVT-725DVD-B, KVT-735DVD, KVT-745DVD, KVT-765DVD, DDX7015, DDX7025, DDX7035, DDX7045, DDX7065, DDX6017, XXV-05V

(As of January, 2005)

Sliding the "2" of the "SELECT SWITCH" on the front panel of conversion box to up position allows the title number (page 7) to be displayed with two digits (99).

When the "2" of the "SELECT SWITCH" on the front panel is set to down position, the title number is displayed with one digit (9).



- For more details, access the following URL:
<http://www.kenwood.com/i/kca-ip500/index.html>



- The title name display and switching operation in the two-digit title number display mode is as follows:
 - When you change the currently selected title (Playlist, album, etc), the title will change to the next one after "EJECT" is displayed.
 - Title names are partially displayed in the list including the current playback title name. If the desired title name is not listed, change to the desired title number. (Title name list display changes in unit of 100 title numbers at a time)

Playing a Song in iPod

Playing a song

1 Connect iPod to KCA-iP500

See instruction on page 4.



- iPod and Control unit may either be turned on or off when they are connected.

2 Play a song

Select "EXT MEDIA" or "* MEDIA" source on Control unit.

See the Instruction Manual for Control unit for how to select a source.



- Songs in the selected title (title of Playlist or album, for example) will be played repeatedly.

About resume function

After connecting your iPod to KCA-iP500, the first song played will be the song you played last with your iPod.

"RESUMING" is displayed at this time, since the title number and title name cannot be displayed correctly. When you select Browsing item or title, the first song is automatically set to the song of "track number 1, title number 1 in Playlist", and the correct title number and name are displayed.

Forward search/reverse search for song selection

Press and hold [**⏮**] or [**⏭**] button on Control unit.

Operation differs depending on the type of Control unit used. See the Instruction Manual for fast-forwarding or reversing the play of CD.

Pausing a song

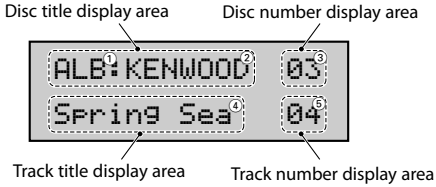
Press [**⏸**] button on Control unit.

Pausing function may not be available with some types of Control unit without [**⏸**] button.

Selecting a Song

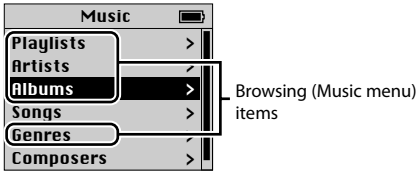
About displayed items

Control unit displays the following items corresponding to the music menu items of iPod.



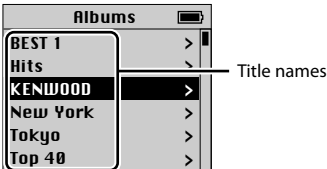
① Browsing (Music menu) items:

Displayed in the first part of the disc title display area.



② Title names:

Displayed in the second part of the disc title display area.



③ Title number:

Displayed in the disc number display area. Titles in the list are numbered in order and the title number displayed corresponds to the selected title.

④ Song name:

Displayed in the track title display area.



⑤ No. of song:

Displayed in the track number display area. Song names in the list are numbered in order and the song's number displayed corresponds to the selected song.



- Displayed items and their locations vary by types of Control unit used for control.

If you play a song with the track number 123 using a Control Unit capable of displaying a track number in two (2) digits, the first digit "1" is truncated and only "23" is displayed on the Control Unit.

- iPod screen in this document is shown for reference purpose. The actual iPod display may vary by model types.

Selecting Browsing (Music menu) Item

Press [SCAN] button on Control unit.

Operation differs depending on the type of Control unit used. See the Instruction Manual for the Scan play of CD.

Pressing [SCAN] button selects Browsing item in the order shown below:

Browsing items	Display
Playlists	PLY
Artists	ART
Albums	ALB
Genres	GEN



- Upon selection of any Browsing item, the first song in the selected item will start playing.

Selecting a Song

Selecting a title (title of Playlist or Album, for example)

Press [FM] or [AM] button on Control unit.

Operation differs depending on the type of Control unit used. See the Instruction Manual for the Disc Search of CD.

Pressing [FM] button changes the title to the next one and [AM] button the previous one.



- When any title is selected, the first song in the selected title will start playing.
- Title number 1 in Playlist corresponds to the "Songs" in Browsing (Music menu) items.

Selecting a song

Press [◀◀] or [▶▶] button on Control unit.

Operation differs depending on the type of Control unit used. See the Instruction Manual for the Track search of CD.

Pressing [◀◀] button plays the previous song, and [▶▶] button plays the next song.

Direct searching

You can select a title or song quickly by directly entering the number of title or track on the remote control for Control unit.

1 Enter the number of a title or track using number keys on the remote for Control unit.

2 If you search for a title

Press [FM] or [AM] button on the remote control for Control unit.

If you search for a track

Press [◀◀] or [▶▶] button on the remote control for Control unit.



- Direct searching function is limited, or some track numbers may not be specified on some types of Control unit. See the Instruction Manual for Control unit.

Setting Up iPod for Playing

Shuffling and playing all your songs

You can set your iPod to play songs in random order.

1 Play a title number 1 in Playlist

See <Selecting a Song> on page 7.

2 Turn on the shuffling function

Press [RDM] button on Control unit.

Operation differs depending on the type of Control unit used. See the Instruction Manual for the Random play of CD.

3 Start shuffling

Press [▶▶] button on Control unit.

Operation differs depending on the type of Control unit used. See the Instruction Manual for skipping to the next song on a CD.



- During the shuffled playback, title numbers are displayed in the order determined by shuffling.

Shuffling and playing songs by title

You can set your iPod to play songs by title (title of Playlist or album, for example) in which currently playing song is included, in random order.

1 Play a song in the title you want to shuffle

See <Selecting a Song> on page 7.

2 Turn on the shuffling function

Press [RDM] button on Control unit.

Operation differs depending on the type of Control unit used. See the Instruction Manual for the Random play of CD.

3 Start shuffling

Press [▶▶] button on Control unit.

Operation differs depending on the type of Control unit used. See the Instruction Manual for skipping to the next song on a CD.



- During the shuffled playback, title numbers are displayed in the order determined by shuffling.

Repeating a song

You can set your iPod to repeat the currently playing song.

1 Play a song you want to repeat

See <Selecting a Song> on page 7.

2 Start repeating

Press [REP] button on Control unit.

Operation differs depending on the type of Control unit used. See the Instruction Manual for the Track repeat play of CD.

Troubleshooting Guide

Use this guide for troubleshooting, when you have difficulty in operating the unit or you cannot play a song with an error message displayed on Control unit.

? Currently selected Browsing (Music menu) item cannot be identified or not displayed.

- ✓ Control unit does not support a CD TEXT (disc title) display function.
 - ☞ Slide the "1" of "SELECT SWITCH" to up position to lock on to "Playlists" (page 5). Next, press the reset button on Control unit.

? Browsing (Music menu) items cannot be selected.

- ✓ The "1" of "SELECT SWITCH" is set to up position.
 - ☞ Slide the "1" of "SELECT SWITCH" to down position (page 5). Next, press the reset button on Control unit.

? Setting of the "SELECT SWITCH" is not enabled.

- ✓ The "SELECT SWITCH" might be set with KCA-iP500 connected to Control unit.
 - ☞ Press the reset button on Control unit.

? Songs cannot be selected.

- ✓ If a resume function is enabled, a song of "track number 1, title number 1 in Playlist" is automatically played when you try to select a song.
 - ☞ You can select a song after a song of "track number 1, title number 1 in Playlist" is played.

? "LOAD"/ "Reading" is continuously displayed on Control unit.

- ✓ Communication failure occurs between KCA-iP500 and iPod.
 - ☞ Disconnect iPod from KCA-iP500, make sure "KENWOOD" is not displayed on iPod, then reconnect.
If "LOAD"/ "Reading" is still displayed, reset iPod.

? iPod becomes inoperative after being disconnected from KCA-iP500.

- ✓ Communication failure occurs between KCA-iP500 and iPod.
 - ☞ Reset iPod.

? Playback stops.

- ✓ An external unit such as headphones has been disconnected from iPod.
 - ☞ Disconnect iPod from KCA-iP500, make sure "KENWOOD" is not displayed on iPod, then reconnect iPod.
Before reconnecting iPod, be sure to disconnect all external units from iPod.

Messages

"RESUMING"

: Resume function is enabled. See <About resume function> on page 6.

"EJECT"

: Continuously displayed "EJECT" that iPod is not connected. Make sure that iPod is securely connected.

"NO DISC"

: A song corresponding to currently selected Browsing (Music menu) item or title (title of Playlist or album, for example) does not exist. Select other Browsing item or title.

"ERROR 18"/ "E-18"

: Software version of the connected iPod is not supported by KCA-iP500. See <Controllable iPod> on page 3.

"ERROR 60"/ "E-60"

: Communication failure occurs between KCA-iP500 and iPod. Disconnect iPod from KCA-iP500, make sure "KENWOOD" is not displayed on iPod, then reconnect iPod. If "ERROR 60"/ "E-60" is still displayed, reset iPod.

About "Reset iPod"

- The phrase "Reset iPod" used in this manual does not refer to the "Reset" operation selected from the menu. The iPod reset method varies depending on the model of the iPod. For how to reset the iPod, refer to the Users Guide that comes with your iPod or access <http://www.kenwood.com/i/kca-ip500/index.html>.

Specifications

Specifications subject to change without notice.

General

Cable Length

iPod I/F to Conversion box: 2.5 m

Conversion box to Control unit: 1.0 m

Operating voltage (11 – 16V allowable)

: 14.4 V

Current consumption (When Recharging)

: 0.8 A

Installation Size (W x H x D)

: 80 x 58 x 23 mm

3-1/8 x 2-5/16 x 7/8 inch

Weight

: 360 g (0.8 lbs)