

KENWOOD

KTC-V300E

TV TUNER ► page 2 - 8

INSTRUCTION MANUAL

SYNTONISEUR TV ► page 10 - 16

MODE D'EMPLOI

TV-TUNER ► Seite 18 - 24

BEDIENUNGSANLEITUNG

TV-TUNER ► blz 26 - 32

GEBRUIKSAANWIJZING

SINTONIZZATORE TV ► pagina 34 - 40

ISTRUZIONI PER L'USO

SINTONIZADOR TV ► página 42 - 48

MANUAL DE INSTRUCCIONES

SINTONIZADOR TV ► página 50 - 56

MANUAL DE INSTRUÇÕES

Kenwood Corporation

SI DICHIARA CHE:

Il Sintonizzatore TV Kenwood per auto, modello

KTC-V300E

risponde alle prescrizioni dell'art. 2 comma 1 del D.M. 28 agosto 1995, n. 548.

Fatto ad Uithoorn il 21 dicembre 2005




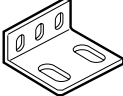





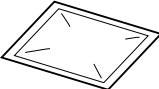
Kenwood Electronics Europe B.V.

Amsterdamseweg 37

1422 AC Uithoorn

The Netherlands

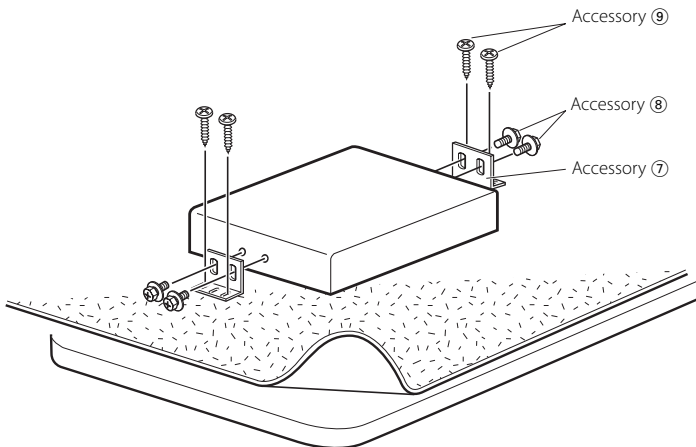
Accessories

①	1	⑥		(3.0m)1
②	1	⑦	2
③		(4.0m)1	⑧		(M4x8mm)4
④		(5.5m)1	⑨		(ø4x16mm)4
⑤	6	⑩	1

Installation the TV Tuner Unit

■ Securing to audio board

Use screws (Accessory ⑧) and ⑨) to fix TV Tuner onto an audio board or another.



Installing the Antenna

■ Before installing the antenna

▲WARNING

- Mounting and wiring this product requires skills and experience. For safety's sake, leave the mounting and wiring work to professionals.

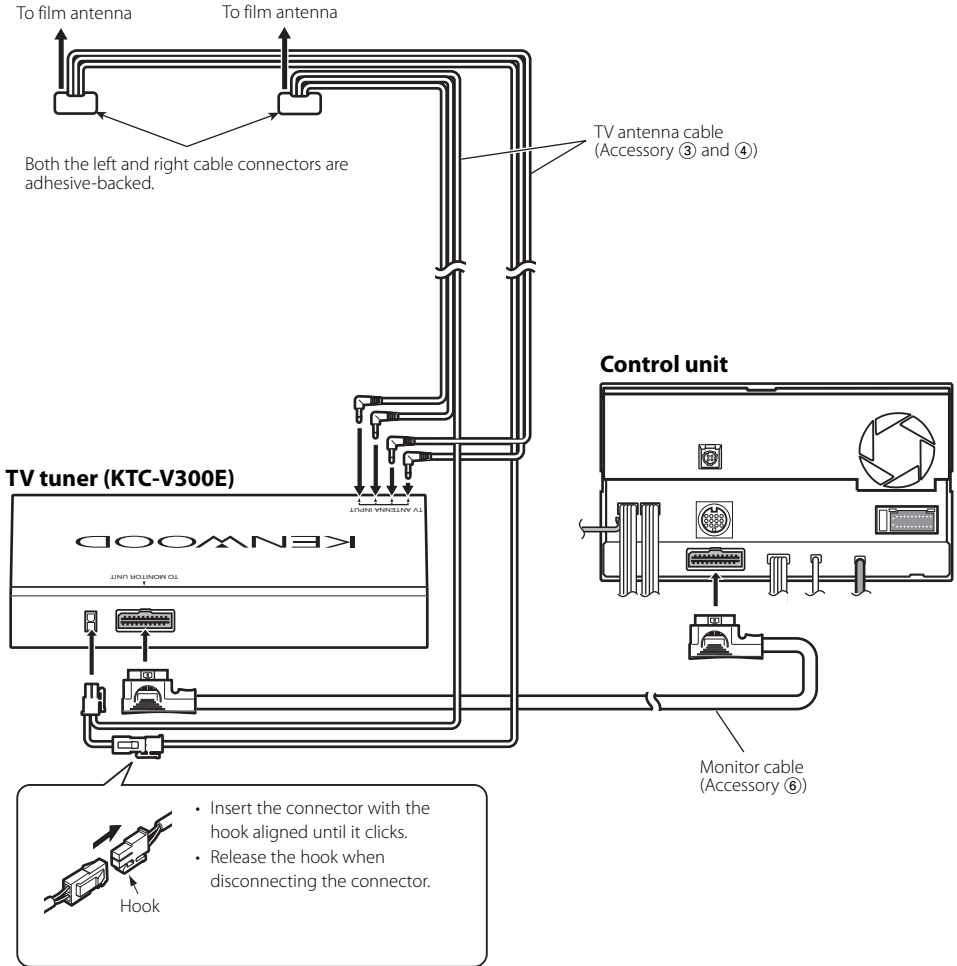
▲CAUTION

- In-car antennas have a lower reception sensitivity than antennas intended for outside mounting. The picture may not appear or may be disturbed if the signal in your area is weak.
- The film antennas are designed specially for use in car.
- Do not attach the film antennas in the following places:
 - A place where the driver's view is blocked
 - A place where safety parts such as an airbag are prevented from operating normally
 - On the surface of a glass such as a rear hatch glass which is frequently moved.
- The reception sensitivity lowers in the following places:
 - A place where a heat reflection glass or mirror-type glass film is affixed
 - A place where the film antenna of the factory-supplied radio already exists
 - On the window where the heating wire already exists
 - On the side of the vehicle (door, front quarter window, etc.)
 - On the rear window
 - On a glass (heat reflecting glass, heat insulating glass, etc.) that blocks radio waves
- Using the cleaner (Accessory ⑩), remove oil and dirt from the glass surface to which the film antennas are to be affixed.
- If the ambient temperature is low, warm the glass before starting the work.
- Before starting the work, confirm well the places where the film antennas (Accessory ① and ②) and the cables (Accessory ③ and ④) are to be installed. Once peeled off, the film antennas and double-stick tape lose adhesion.
- Do not fold or damage the film antennas.
- Noise generated by the air conditioner or monitor can cause poor TV reception.
- The film antennas cannot be installed depending on the vehicle model.
- The reception sensitivity can vary with the windshield wiper operation depending on the vehicle model.
- The reception sensitivity can vary depending on the relationship between the traveling direction of the vehicle (the pointing direction of the antennas) and the location of the broadcast station.

Installing the Antenna

■ System connection

- ⚠ To prevent short circuits, remove the key from the ignition and disconnect the \ominus terminal of the battery.
- Make sure to ground the unit to a negative 12V DC power supply.
- After the unit is installed, check whether the brake lamps, blinkers, wipers, etc. on the car are working properly.
- Thoroughly wipe away oil and other dirt from the installation surface. Please avoid installation on uneven surfaces.



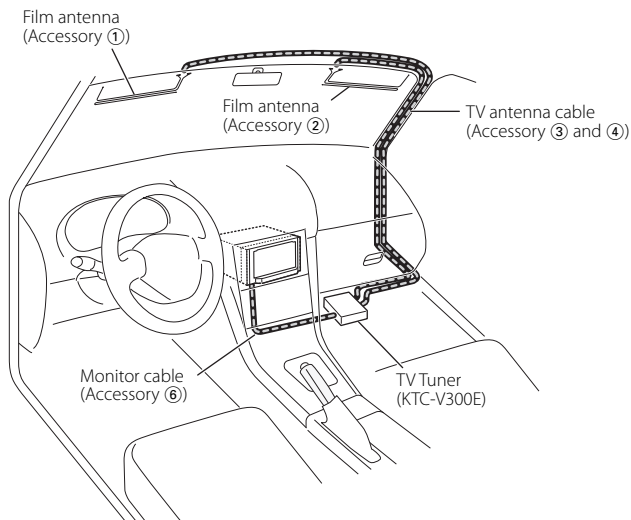
■ Wiring example

Select either one of the following wiring routes depending on the situation.

TV antenna cables (Accessory ③ and Accessory ④) are different in length. Use them appropriately to fit the wiring of the vehicle you are working on.

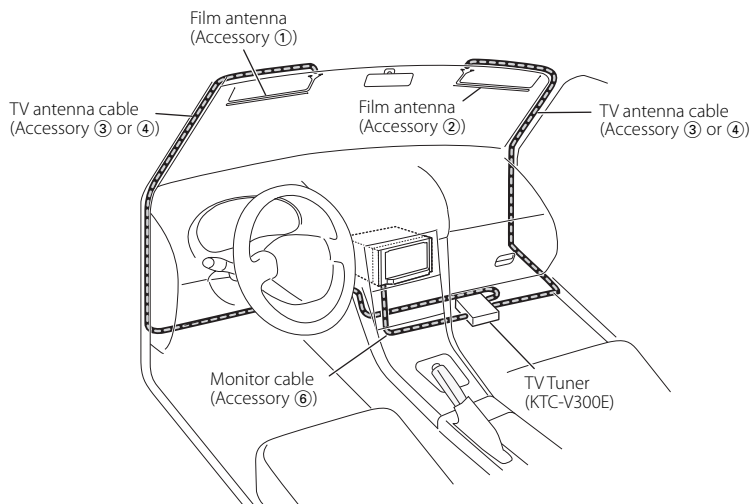
Example A

This example shows a case where the cables are routed on the passenger's seat side. For the right-hand-drive car, route the cables on the left side passenger's seat.



Example B

This example shows a case where it is difficult to route the cables near the rearview mirror.



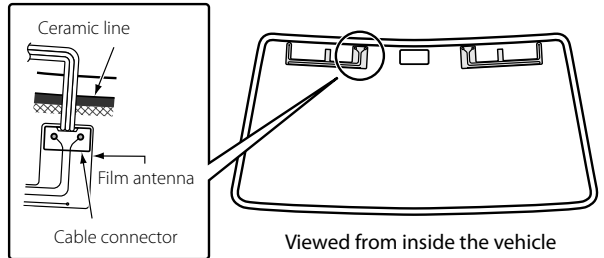
Installing the Antenna

Installation Procedure

1. Confirm the installation place.



- Affix the film antennas and cable connectors to the front windshield following the laws and regulations of your country.
- Affix each film antenna so that it does not overlap the ceramic line. Affixing the antenna on the ceramic line will lose the adhesion force.



2. Using the cleaner (Accessory ⑩), wipe dirt off the antenna installation surface.

3. Affix each film antenna.

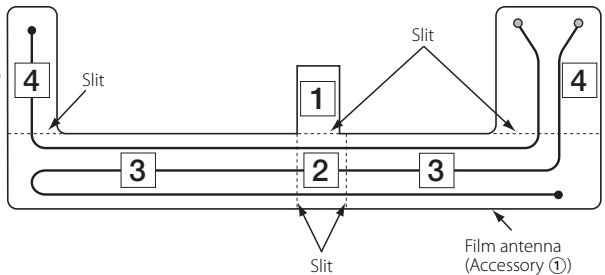
- 1) Peel off the release paper (half-transparent sheet) [1] starting at the slit, and then affix the film antenna to the windshield.



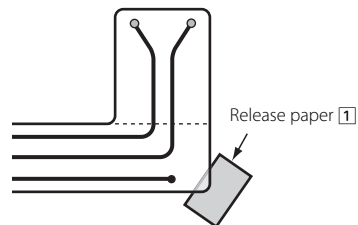
- Once peeled off, the remaining portions of the antenna cannot be affixed again. Confirm the installation place again.

- 2) Peel off the release paper [2] starting at either slit, and affix the film antenna to the windshield.

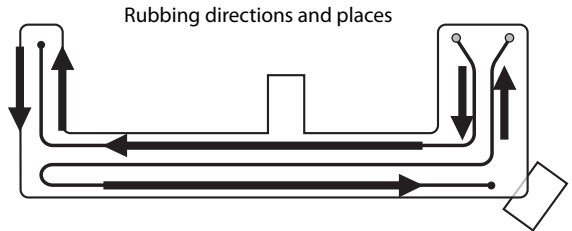
- 3) Peel off the release paper [3] and release paper [4] and affix the film antenna to the windshield in the same manner as above.



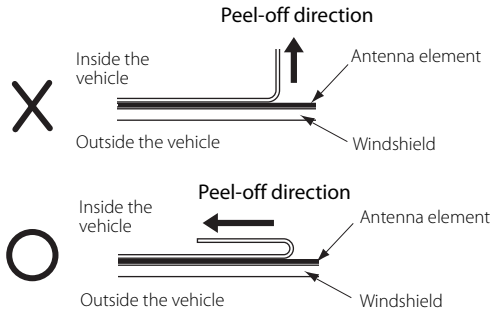
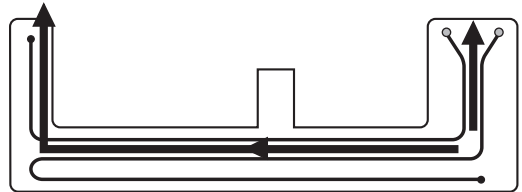
- Either the left or right side of the film antenna can be affixed first.
- Inserting the release paper [1] under the corner of the film antenna as shown on the right allows you to peel off other sheets of release paper easily.



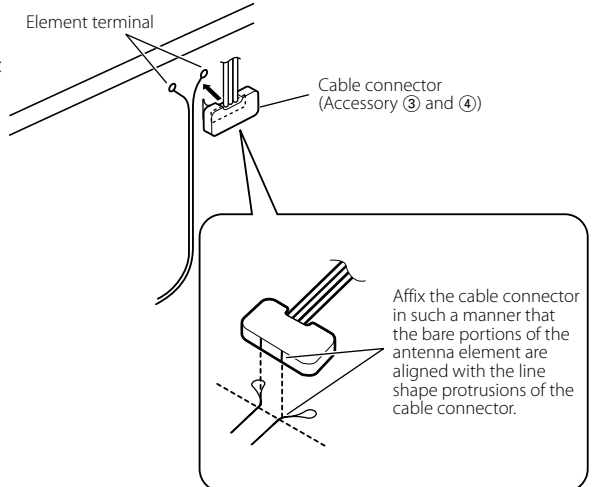
4. Rub a rubber spatula against the transparent sheet to affix the antenna element to the windshield tightly. If the rubber spatula is not available, use a small board wrapped with cloth.



5. Slowly peel off the transparent sheet along the element line.



6. Make sure that the antenna element has been affixed tightly, and then affix the cable connector to the element terminal.



7. Route the cable and secure it with the supplied cable clamps (Accessory ⑤).

Specifications

Specifications subject to change without notice.

TV Tuner section

- Colour system
: PAL/SECAM
- Channel selection system
: PLL frequency synthesiser system
- Television system
: PAL-B/G, PAL-I, SECAM-D/K, SECAM-B/G
- Channel converge
VHF
(PAL-B/G) : 2 - 12 ch/ A - H2 ch
(PAL-I) : A - J ch
(SECAM-D/K) : 1 - 12 ch
(SECAM-B/G) : 2 - 12 ch
UHF : 21 - 69 ch
- Demodulation system
: Split carrier system
- Antenna input
: 4-ch diversity (3.5 \emptyset miniplug)

General

- Operating voltage
: 14.4 V DC (11 V - 16 V)
- Current consumption
: 465 mA
- Dimensions (WxHxD)
: 188 x 30 x 144 mm
- Operational temperature range
: -10 °C - +60 °C
- Storage temperature range
: -30 °C - +85 °C
- Weight
: 680 g

TV Antenna

- Output impedance
: 75 Ω / 3.5 \emptyset minijack
- Operating voltage
: 8 V DC
- Current consumption
: 85 mA
- Cable length
: 4.0 m, 5.5 m
- Film antenna element size (WxH)
: 345 x 94 mm
- Weight
: 375 g

Information on Disposal of Old Electrical and Electronic Equipment (applicable for EU countries that have adopted separate waste collection systems)



Products with the symbol (crossed-out wheeled bin) cannot be disposed as household waste. Old electrical and electronic equipment should be recycled at a facility capable of handling these items and their waste byproducts. Contact your local authority for details in locating a recycle facility nearest to you. Proper recycling and waste disposal will help conserve resources whilst preventing detrimental effects on our health and the environment.

