

KENWOOD

EXTERNAL MEDIA CONTROLLER

KOS-A210

INSTRUCTION MANUAL

Kenwood Corporation



**Declaration of Conformity with regard to the EMC Directive
2004/108/EC**

Manufacturer:

Kenwood Corporation

2967-3 Ishikawa-machi, Hachioji-shi, Tokyo, 192-8525 Japan

EU Representative's:

Kenwood Electronics Europe BV

Amsterdamseweg 37, 1422 AC UITHOORN, The Netherlands



Contents

Before use	3	Bluetooth Audio Operation	19
Basic Operation	4	Before Use	
General functions		Basic Operation	
iPod & USB device functions		Bluetooth Setup	20
Cancel the Demonstration mode (only when connecting to KOS-D210)		Registering Bluetooth device	
Listen to the audio via this unit		Registering Special Bluetooth device	
Function Control	6	Registering PIN Code	
Display Settings	9	Downloading the Phone Book	
Illumination Color Selection		Selecting the Bluetooth device You Wish to Connect	
Display Type Selection		Deleting a Registered Bluetooth device	
Text Display Selection		Displaying the Firmware Version	
Auxillary Input Name Setting		Adding a voice dialing command	
iPod/ USB device Operation	11	Setting a Voice Command for Category	
Music Search		SMS (Short Message Service)	
Music Search for iPod		Downloading the SMS	
Searching for Music by Initial		Appendix	25
Related Search		Accessories	28
Drive Search		Installation Procedure	29
All Random		Connecting Wires to Terminals	30
iPod Control by Hand Mode		Installation	32
Favorite Control	14	Troubleshooting Guide	36
Favorite Preset Memory		Specifications	38
Favorite Preset Recall			
Favorite Preset Memory Delete			
Favorite Name Setting			
Input/Output Setting	15		
Input Level Adjust			
Transmission Frequency Setting			
Operation of hands-free phoning	16		
Before Use			
Receiving a call			
During a call			
Call waiting			
Other functions			
Making a call			
Dial a number			
Speed dialing (Preset dial)			
Calling a number in the Phone Book			
Calling a number in the call log			
Make a voice dialing call			
Registering to the Preset Dial Number List			
Display of phone number type (category)			

Before use

▲WARNING

To prevent injury or fire, take the following precautions:

- To prevent a short circuit, never put or leave any metallic objects (such as coins or metal tools) inside the unit.

Cancel the Demonstration mode to use this unit when connecting to Display unit KOS-D210 (optional accessory)!

This unit is initially set on the Demonstration mode when connecting to KOS-D210.

When using this unit for the first time, cancel the <Cancel the Demonstration mode> (page 5).

Cleaning the Unit

If the this unit is stained, wipe it with a dry soft cloth such as a silicon cloth.

If the this unit is stained badly, wipe the stain off with a cloth moistened with neutral cleaner, then wipe it again with a clean soft dry cloth.



- Applying spray cleaner directly to the unit may affect its mechanical parts. Wiping the faceplate with a hard cloth or using a volatile liquid such as thinner or alcohol may scratch the surface or erase printed characters.
- To display the information from this unit on your vehicle display, the vehicle audio should support the RDS radio system.
- The notation " " in this manual represents the displayed messages for Display unit KOS-D210 (optional accessory). The notation (") represents the displayed messages for the vehicle audio connected to this unit.
- If you experience problems during installation, consult your Kenwood dealer.
- When you purchase optional accessories, check with your Kenwood dealer to make sure that they work with your model and in your area.
- Characters that conform to ISO 8859-1 can be displayed.
- Characters that conform to ISO 8859-5 or ISO 8859-1 can be displayed. Refer to "MENU" > "Russian" of <Function Control> (page 6).
- The illustrations of the display appearing in this manual are examples used to explain more clearly how the controls are used. Therefore, what appears on the display in the illustrations may differ from what appears on the display on the actual equipment, and some of the illustrations on the display may be inapplicable.

This Product is not installed by the manufacturer of a vehicle on the production line, nor by the professional importer of a vehicle into an EU Member State.

Information on Disposal of Old Electrical and Electronic Equipment and Batteries (applicable for EU countries that have adopted separate waste collection systems)



Products and batteries with the symbol (crossed-out wheeled bin) cannot be disposed as household waste.



Old electrical and electronic equipment and batteries should be recycled at a facility capable of handling these items and their waste byproducts.

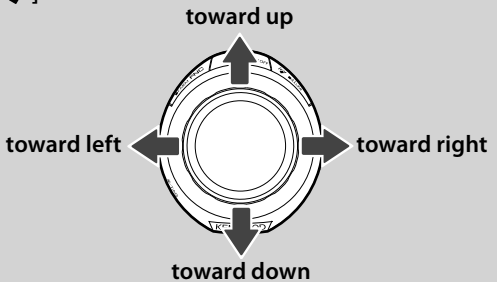
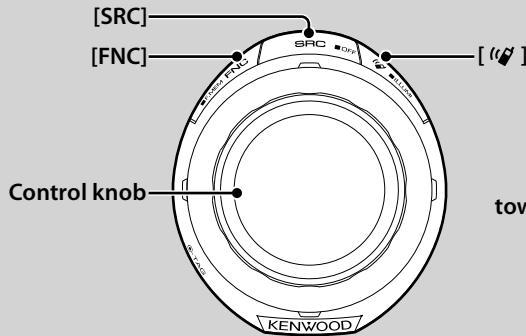


Pb

Contact your local authority for details in locating a recycle facility nearest to you. Proper recycling and waste disposal will help conserve resources whilst preventing detrimental effects on our health and the environment.

Notice: The sign "Pb" below the symbol for batteries indicates that this battery contains lead.

Basic Operation



General functions

Power/Source Select button: [SRC]

Turns on the power.

When the power is ON, select a source.

When connecting to KOS-D210 (Optional Accessory) (SRC Select mode 1): Press the [SRC] button and then turn the Control knob or push it toward up or down. To determine the selected source, press the Control knob.

When not connecting to KOS-D210 (Optional Accessory) (SRC Select mode 2): Pressing this button each time switches between sources.

iPod/ USB device ("iPod" or "USB"), Auxiliary input ("AUX"), and Standby ("STANDBY")

Press at least 1 second to turn off the power.



- To select SRC Select mode 2 when connecting to KOS-D210, set "MENU" > "SRC Select" of <Function Control> (page 6) to "2".
- When an optional accessory is connected, the source name for each device appears.
- When connection of the iPod is recognized, the source display changes from "USB" to "iPod".
- For the playable audio files, and devices, refer to <About Audio file> (page 25).

Text/Title scroll: Control knob

Scrolls the longer audio file text display when pushing toward up for at least 2 seconds.

Function Control: [FNC]

Pressing this button allows you to set various functions using the Control knob. Refer to <Function Control> (page 6).

Category	Function of setup item
FAV	Enters the Favorite Preset Recall mode.
MENU	Allows you to set up the environment.
RMV	Enters the USB remove mode.
SETUP	Allows you to set up the display and color.
BT	Allows you to set up the Bluetooth function.
—	Allows you to set up the each source function.

Favorite Control: [FNC]

Pressing the button for at least 1 second allows you to register various functions. The registered function can be executed from the list displayed by pressing this button and then selecting "FAV". Refer to <Favorite Control> (page 14).

Illumination Control: [Lightning Bolt]

Hold this button and turn the Control knob to change the KOS-D210 (Optional Accessory) and controller illumination colors.

You can select from the 10 colors or to scan all 10 colors, each of which changes every 5 seconds.



- To make the KOS-D210 illumination color different from the controller, set "OFF" "MENU" > "Illumi SYNC" of <Function Control> (page 6). You can set the KOS-D210 illumination color in "SETUP" > "Color Select" (page 9) of <Function Control> (page 6).
- Switching "Illumi SYNC" from "OFF" to "ON", does not synchronize illumination color immediately. The next illumination color change action activates the color synchronize.

iPod & USB device functions

Pause and play: Control knob

Switches between pause and play each time this button is pressed.

Music search: Control knob

Pushing left or right on the control knob forwards or reverses the music. Holding the control knob to the left or right fast-forwards or fast-reverses (inaudible).

Folder search: Control knob

Changes the folder containing the audio file when pushing toward up or down.



- For the operation on iPod, see <Music Search for iPod> (page 11) for quick search and control functions.

Search mode: Control knob

After turning control knob, you can quickly search songs with the Control knob. See <Music Search> (page 11) for details.

USB device removing

When removing the iPod/ USB device, you must enter the Remove mode. To enter the Remove mode, press the [FUN] button and then select "RMV" ("USB RMV"). For details, refer to <Function Control> (page 6).



- The iPod/ USB device can be removed during power off.

Cancel the Demonstration mode (only when connecting to KOS-D210)

Do not use this unit before canceling Demonstration mode.

- 1 Turn the power ON**
Press the [SRC] button.
- 2 Enter Function Control mode**
Press the [FNC] button.
- 3 Select the Menu mode**
Push the Control knob towards right, left, up and down to select "MENU", and then press the Control knob.
- 4 Select the "DEMO Mode" display**
Turn the Control knob.
- 5 Set the Demonstration mode**
Press the Control knob for at least 2 seconds.
Pressing this knob for 2 seconds or longer toggles the setting between "ON" and "OFF".
- 6 Exit Function Control mode**
Press the [FNC] button twice.

Listen to the audio via this unit

When listening to the audio with the transmitter function

Tune the vehicle radio to FM 88.3 MHz, and then set the program service name for the display.

The transmission frequency can be changed with "MENU" > "TransmissionFREQ" ("FREQ") of <Function Control> (page 6).

When listening to the audio with the LINE OUT function

Switch the source of the vehicle audio to "AUX".

Function Control

Functions in the table below can be set up by using Function Control.

1 Enter Function Control mode

Press the [FNC] button.

2 Select a Function group (only when connecting to KOS-D210)

Push the Control knob towards right or left.

Pushing the Control knob towards left allows you to set the preference items ("MENU" or "SETUP").

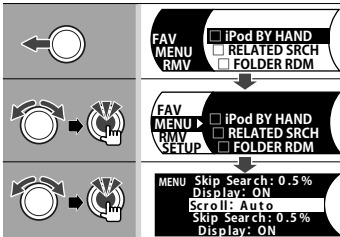
Pushing the Control knob towards right allows you to set the currently selected source function item ON/OFF.

3 Select your desired setup item

Operation type	Operation
Movement between items	Turn the Control knob.
Selection of item	Press the Control knob.
Return to previous item	Press the [FNC] button. Select "Return" at the bottom of the item list.

Repeat selection and determination until your desired setup item is selected.

KOS-D210 display example:



In this manual, the above selection is indicated as

Select "MENU" > "Scroll".

Each item's "□" will be "✓" when the source function is set to ON.

4 Make a setting

Push the Control knob towards up or down.

Press the Control knob to set the source function item ON/OFF.

- Some items require you to keep pressing the Control knob for 1 or 2 seconds so that you can make a setting. For these items, the time during which you need to keep pressing the Control knob is displayed in the Entry column in seconds.
- A reference page number is listed along with the function for a detailed explanation.

5 Exit Function Control mode

Press the [FNC] button twice.

Press the [FNC] button several times until you return to the desired hierarchy.

Displayed controls and settings are dependent on the currently selected source or mode. Observe the source and mode markings in the condition column.

[SB] : Can be set in other than standby state.

[SB] : Can be set in standby state.

[AF1] : Can be set while Audio file source of iPod/USB device.

[AF2] : Can be set while Audio file source of USB device (excluding iPod).

[iPod] : Can be set only during playback of the iPod.

[KME] : Can be set only during playback of the Music Editor media.

[AUX] : Can be set while accessing AUX source.

[Phone] : Can be set while a cell-phone is connected.

— : Can be set during all sources.

The Control knob is used for entry, but how to use the knob varies depending on the setting items.

: Press the Control knob to switch the settings.

: Push the Control knob towards left or right to switch the settings.

: Turn the Control knob to switch the settings.

1 sec. : Press the Control knob for 1 second to enter into the setting mode.

2 sec. : Press the Control knob for 2 seconds to enter into the setting mode.



- Refer to the respective page for information on how to set the items with reference page number.
 - Only the items available to the current source are displayed.
 - The connected cell-phone must have the SMS function to use the "SMS" function.
 - This unit supports KENWOOD Music Editor version 3.0 (page 25) or later. If "FILE SCAN" is selected while a media file in KENWOOD Music Editor is playing, media files are played as follows:
 - First 10 seconds or the part picked by Intro Skip.
 - During Intro Skip, turn the control knob left or right to change the song.
- The scan method depends on the Music Editor setting. See the Music Editor help for details.

*Factory setting
 *1 Function of KOS-A210 with KCA-BT200.
 *2 Function of KOS-A210 with KOS-D210.
 *3 Refer to <Menu Glossary> (page 26).

Source function item

Function	Setting	Entry	Setting overview	Condition	Page	
"iPod BY HAND" ("IPODMODE")	"ON"/"OFF"		When set to "ON", allows you to operate iPod with the control on the iPod.	iPod	13	
"RELATED SRCH" ("R-SEARCH")	—		Starts Related search.	iPod	12	
("PLAY MODE") When not connecting to KOS-D210.	"FILE SCAN" ("SCN: FILE")	"ON"/"OFF"		When set to "ON", plays the intro of the music in the folder successively.	AF2	—
	"FOLDER RDM" ("RDM: FOLD")	"ON"/"OFF"		When set to "ON", plays the music in the folder randomly.	AF1	—
	"ALL RANDOM" ("RDM: ALL")	"ON"/"OFF"		When set to "ON", all songs in iPod are played at random.	AF1	13
	"FILE REPEAT" ("REP: FILE")	"ON"/"OFF"		When set to "ON", plays the music repeatedly.	AF1	—
	"FOLDER REP" ("REP: FOLD")	"ON"/"OFF"		When set to "ON", plays the music in the folder repeatedly.	AF2	—

Preference item

Category	Item	Setting	Entry	Setting overview	Condition	Page
"FAV"*2	—	—		Enters the Favorite Preset Recall mode.	—	14
—"DISP")	When not connecting to KOS-D210.	—		Changes displayed information.	—	10
"MENU"	"TransmissionFREQ" ("FREQ")	"87.9" - "89.9"	1 sec.	Setting the transmission frequency.	SB	15
	"ModulationLV" ("MOD LV")	"1" - "3"		Setting the modulation level of transmitter.	SB	—
	"SCL Speed" ("SCL-SPD")	"1" - "3"		Setting the data transmission speed of RDS.	SB	*3
	"Input Level ADJ" ("INPUT LV")	"-8" - "0" AUX: "-8" - "+8"	1 sec.	Adjusts the input level.	SB	15
	"SRC Select" ("S.SEL")*2	"1"*/"2"		Sets the source selection method.	SB	4
	"Skip Search" ("SKIP")	"0.5%"/ "1%"/"5%"/ "10%"		Sets the ratio of skip performed with <Music Search for iPod>.	iPod KME	11
	"Power Off Mode" ("PWR OFF")*1	"1"*/"2"		Automatically turns the power on when there is an incoming call during power off.	SB	*3
	"Device Regist" ("DVC REG")*1	—	1 sec.	Register a Bluetooth device (pairing).	SB	20
	"SPCL DVC Select" ("SDVC")*1	—	1 sec.	Allow registration of a special device that cannot be registered normally.	SB	20
	"Phone Selection" ("PHN-SEL")*1	—	1 sec.	Select a cell-phone subject to hands-free connection.	SB	21
	"Audio Selection" ("AUD-SEL")*1	—	1 sec.	Select the Bluetooth audio player to be connected.	—	21
	"Device Delete" ("DVC-DEL")*1	—	1 sec.	Cancel registration of the Bluetooth device.	SB	22
	"BT DVC Status" ("D-STATUS")*1	—	1 sec.	Display the status of the Bluetooth device.	—	*3
	"PIN Code Edit" ("PIN EDIT")*1	—	1 sec.	Specify the PIN code required when registering this unit using the Bluetooth device.	SB	20
	"Auto Answer" ("ANS")*1	"OFF"/"OS" - "85"* - "995"		Answer a call automatically after lapse of the preset time interval for automatic answer.	SB	*3
"SP Select" ("SPK")*1	"All" ("ALL")/ "Left" ("LCH")/ "Right" ("RCH")		Specify the voice output speaker.	SB	*3	
"Call Beep" ("C-BP")*1*2	"ON"*/"OFF"		Output a beep from the speaker when a call comes in.	SB	*3	

Next page ►

Function Control

*Factory setting

*1 Function of KOS-A210 with KCA-BT200.

*2 Function of KOS-A210 with KOS-D210.

*3 Refer to <Menu Glossary> (page 26).

Category	Item	Setting	Entry	Setting overview	Condition	Page
	"Beep Level" ("BEEP LV")*1*2	"1"-"5"		Setting the call beep sound volume.	—	—
	"Beep Pattern" ("BEEP")*1*2	"1"-"4"		Setting the beep sound pattern.	—	—
	"BT F/W Update" ("BT FW UP")*1	—	1 sec.	Display the firmware version and update the firmware.	SB	22
	"Illumi SYNC"*2	"OFF"/"ON"*		Synchronizes the illumination color of the display with that of the controller.	SB	5
	"Display" ("DISP OFF")*2	"OFF"/"ON"*		Turns off the display when no operation is performed.	—	*3
	"DISP DIM" ("DIM")*2	"OFF"/"AUTO"* /"MNAL1"/ /"MNAL2"		Sets whether the illumination is dimmed in conjunction with the light switch of the vehicle or it is dimmed constantly.	SB	*3
	Contrast*2	"1"-"10"		Adjusting the display contrast.	SB	—
	DISP N/P*2	"POS1"/"2" /"NEGA1"/"2"		Switches the display between positive or negative.	SB	*3
	"DISP V.Flip"*2	"OFF"/"ON"		Flips the display upside-down when Display unit is installed above your eye level.	SB	34
	"Supreme" ("SPRM")	"OFF"/"ON"*		Turns ON/OFF the Supreme function.	AF2	*3
	"Name Set" ("NAME SET")	—	1 sec.	Sets the display when switched to AUX source.	AUX	10
	"Russian" ("RUS")*2	"OFF"/"ON"*		Selects Russian as the display language.	SB	*3
	"Scroll" ("SCL MANU")*2	"Auto"/ /"Manual"*		Specifies whether the text is scrolled automatically.	—	—
	"Favorite Delete" ("FAV DEL")*2	—	1 sec.	Deletes Favorite Preset Memory.	SB	14
	"Built in AUX" ("AUX")	"OFF"/"ON"*		Sets whether to display AUX during source selection.	SB	—
	"F/W Version" ("F/W")	—	—	Display the firmware version	SB	—
	"DEMO Mode" ("DEMO")*2	"OFF"/"ON"*	2 sec.	Specifies whether to enable demonstration.	—	5
"RMV"*2				Enters the USB remove mode.	—	5
"SETUP"*2	"Display Select"	"Type Select"		Sets the display pattern.	—	9
		"Side Select"	3 types	Sets the Type A side display.	—	—
		"Text Select"		Sets the text display.	—	10
	"Color Select"	"Variable Scan"*/ "Color 1"-"Color 10"/"User"		Sets the display illumination color. It can be set when "Illumi SYNC" is turned "OFF".	—	9
"BT"*1	"Voice Recognize" ("V-RECOG")	—		Calls by recognizing the registered voice.	Phone	18
	"Voice Tag" ("VOICETAG")	"PB Name Edit" ("NAME EDT")		Registers voice for voice recognition.	Phone	22
		"PN Type Edit" ("TYPE EDT")		Registers voice to select the Phone number category in Phonebook.	Phone	23
	"SMS"	"SMS Download" ("SMS DL")		Download a short message.	Phone	24
		"SMS Inbox" ("INBOX")		Display the received short message.	Phone	24
"(USB RMV)"	When not connecting to KOS-D210.				—	5

Display Settings

Function of KOS-D210 (Optional Accessory)

Illumination Color Selection

Selecting the Illumination Color of the display.

1 Enter Illumination color selection mode

Select "SETUP" > "Color Select".

For how to select Function Control item, refer to <Function Control> (page 6).

2 Select the Illumination Color

Turn the Control knob and push the center when the desired item is displayed.

Select the color from "Variable Scan"/"Color1" — "Color 10"/"User".

Creating "User" color

You can create your original color during the selection from "Color1" — "Color10".

The color you created can be called when you select "User".

1. Press the Control knob for at least 1 second.

Enter the detail color adjustment mode.

2. Set the color.

Operation type	Operation
To select the color to adjust. (red, green, or blue)	Push the Control knob towards right or left.
To adjust color. (Range: 0 – 9)	Turn the Control knob or push it towards up or down.

3. Press the Control knob.

Exit the detail color adjustment mode.

3 Exit Illumination color selection mode

Press the [FNC] button.



- You can select the illumination color of the display when setting "MENU" > "Illumi SYNC" to "OFF". The illumination color of the display is the same color of the controller when setting it to "ON".

Function of KOS-D210 (Optional Accessory)

Display Type Selection

Shown below are examples of display types.

Display	Display Type
"TYPE [A]"	Displays 4 lines of text.
"TYPE [B]"	Displays a line of text and graphics.

1 Enter Display type selection mode

Select "SETUP" > "Display Select" > "Type Select".

For how to select Function Control item, refer to <Function Control> (page 6).

2 Select the Display type

Turn the Control knob.

3 Exit Display type selection mode

Press the [FNC] button.



- For how to switch the text display information, refer to <Text Display Selection> (page 10).
- When "TYPE [A]" is selected, the icon of the currently selected source and the text information title can be displayed on the left side by the following <Function Control> (page 6) operation.
Side display: Select "SETUP" > "Display Select" > "Side Select"

Display Settings

Function of KOS-D210 (Optional Accessory)

Text Display Selection

Changes displayed information on each source following;

In iPod/ USB device source (When connecting to KOS-D210)

Information	Display
Title	"Title"
Artist name	"Artist"
Album	"Album"
Folder name	"Folder name"
File name	"File name"
Play time	"P-Time"
Play time bar (iPod only)*	"Time Bar"
Blank	"Blank"

* Can be displayed only on the bottom line of "TYPE [A]" text.

In iPod/ USB device source (When not connecting to KOS-D210)

Information	Display
Title	"TITLE"
Artist name	"ARTIST"
Album	"ALBUM"
Folder name	"FOLDER"
File name	"FILE"

In Standby/ Auxiliary input source (Function of KOS-D210)

Information	Display
Source name	"Source Name"
Blank	"Blank"

1 Enter Text display selection mode

When connecting to KOS-D210:

Select "SETUP" > "Display Select" > "Text Select".

When not connecting to KOS-D210:

Select "DISP".

For how to select Function Control item, refer to <Function Control> (page 6).

2 Select the text display part (When connecting to KOS-D210)

Push the Control knob towards up or down.

The selected text display part blinks.

3 Select the text

Turn the Control knob.

4 Exit Text display selection mode

Press the [FNC] button.



- If the selected display item does not have any information, alternative information is displayed.
- Some items cannot be selected depending on the display type and row.
- When selecting "Folder name" while playing with iPod, names will be displayed depending on currently selected browsing items.
- If the iPod Control by Hand Mode is set to on while playing the iPod, "iPod by Hand Mode" is displayed.
- If all characters cannot be displayed while playing with iPod, the file number in the list is displayed.

Information	Display
Music title	"TITLE****"
Folder name	"FLD****"
File name	"FILE****"

Auxiliary Input Name Setting

Selects the display when changing to Auxiliary input source.

1 Select the AUX source

Press the [SRC] button.

2 Select Auxiliary input name setting mode

Select "MENU" > "Name Set" ("NAME SET").

For how to select Function Control item, refer to <Function Control> (page 6).

3 Enter Auxiliary input name setting mode

Press the Control knob for at least 1 second.

The presently selected Auxiliary input display is displayed.

4 Select the Auxiliary input name

Turn the Control knob.

"AUX"/"DVD"/"PORTABLE"/"GAME"/"VIDEO"/"TV"

5 Exit Auxiliary input display setting mode

Press the [FNC] button.



- When operation stops for 10 seconds, the name at that time is registered, and the Auxiliary input display setting mode closes.

iPod/ USB device Operation

Function of USB device

Music Search

Selecting the music you want to listen to from the device or media being played.

1 Enter Music Search mode

Turn the Control knob.

"SEARCH" is displayed.

Displays the current Audio file name.

2 Search for music

Audio file

Operation type	Operation
Movement between folders/files	Turn the Control knob or push it towards up or down.
Skip Search *1	Push the Control knob towards right or left.
Selection of folder/file	Press the Control knob or push it towards right.
Return to previous folder	Push the Control knob towards left.
Return to root folder	Push the Control knob towards left for at least 1 second.

When connecting to KOS-D210:

"◀" or "▶" beside the displayed folder name indicates that this folder is preceded or followed by another folder.

File name is displayed with "♪" indicator.

Cancelling the Music Search mode

Press the [FNC] button.



- Music Search cannot be performed during Random play.
- *1 Skip Search (Function of Music Editor media):

The number of songs to be skipped is determined by the ratio of the total number of songs in the list which is selected. Set the ratio with "Skip Search" in <Function Control> (page 6). Keep pushing Control knob for 3 seconds or longer skips songs at 10% irrespective of the setting.

Function of iPod

Music Search for iPod

Search for the song (in iPod) you want to play.

1 Enter Music Search mode

Turn the Control knob.

2 Search for music

Operation type	Operation
Movement between items	Turn the Control knob.
Skip Search *1	Push the Control knob towards right or left.
Selection of item	Press the Control knob.
Return to previous item	Push the Control knob towards up.
Return to Top menu	Push the Control knob towards up for at least 1 second.
Search by initial	Push the Control knob towards down. Refer to the next section <Searching for Music by Initial>.

Scroll bar is displayed on the right side of the screen.

Cancelling the Music Search mode

Press the [FNC] button.



- *1 Skip Search: The number of songs to be skipped is determined by the ratio of the total number of songs in the list which is selected. Set the ratio with "Skip Search" in <Function Control> (page 6). Keep pushing Control knob for 3 seconds or longer skips songs at 10% irrespective of the setting.
- Characters that are included in a song name but cannot be displayed are left blank. If no characters included in a song name can be displayed, the browse item name and digits are displayed.

Items	Display	Items	Display
Playlists	"PLIST****"	Podcasts	"PDCT****"
Artists	"ART****"	Genres	"GEN****"
Albums	"ALB****"	Composers	"COM****"
Songs	"PRGM****"		

iPod/ USB device Operation

Function of iPod

Searching for Music by Initial

You can select an alphabetic character from the list in the browse item (artist, album, etc.) selected now.

1 Enter Music Search mode

Turn the Control knob.

2 Start the alphabet search

Push the Control knob towards down.

"A B C ..." is displayed.

3 Select the initial to be searched for

Operation type	Operation
Move to the next character.	Turn the Control knob or push it towards right or left.
Move to the next row.	Push the Control knob towards up or down.

4 Determine the selected initial

Press the Control knob.

Start search. When search is completed, the music search mode is selected again at the selected character position.

Cancelling the alphabet search

Press the [FNC] button.



Alphabetic search time is dependent upon the amount of songs, artist and file structure on the device.

- When selecting an initial in the alphabet search, entering "*" searches symbols and entering "1" searches digits.
- If the first character string begins with an article "a", "an", or "the" in the alphabet search mode, it is searched for by the next word.

Function of iPod

Related Search

Browses for music of the same artist or genre as the one being played.

1 Enter Related Search mode

Select "RELATED SRCH" ("R-SEARCH").

For how to select Function Control items, refer to <Function Control> (page 6).

2 Select browsing item

Turn the Control knob to select desired browse item, and then press the Control knob.

Display	Browse item
"Artist" ("ARTIST")	Displays the album of the same artist.
"Album" ("ALBUM")	Displays music in the album in which the one being played is included.
"Genre" ("GENRE")	Displays the artist of the same genre.
"Composer" ("COMPOSER")	Displays the album including music created by the same artist.

3 Search for music

Operation type	Operation
Movement between items	Turn the Control knob.
Selection of item	Press the Control knob.
Return to previous item	Push the Control knob towards up.

Cancelling the Related Search

Press the [FNC] button.



- When the music being played has no information on browsing items or no music was found, "Not Found" is displayed.

Drive Search

Selecting the device inserted in the Multi Card Reader.

1 Put the playback to pause

Press the Control knob.

2 Select a device

Push the Control knob towards up or down.

"Drive#" is displayed.

3 Restart playback

Press the Control knob.



- This unit is compliant with Multi Card Readers with a maximum of 4 slots.
- If a device is inserted during connection of the Multi Card Reader, it is not recognized. Select the Remove mode with reference to <USB device removing> (page 5), remove the Card Reader, and then insert the memory.

All Random

All songs are played at random.

Enter All random mode

Select "ALL RANDOM" ("RDM: ALL").

For how to select Function Control items, refer to <Function Control> (page 6).



- The time required to turn on the all random function may become longer depending on the number of songs in iPod or the folder structure.
- Turning on the all random function changes the iPod browse item to "Songs". This browse item will not change even if the all random function is turned off.

Function of iPod

iPod Control by Hand Mode

Allows you to operate iPod with the control on the iPod.

Enter iPod Control by Hand Mode

Select "iPod BY HAND" ("IPODMODE").

For how to select Function Control items, refer to <Function Control> (page 6).



- iPod will be paused when Hand mode is turned ON during playback.
- In the iPod Control by hand mode, iPod cannot be operated using this unit.
- This mode is not compatible with music information display. The display will show "iPod by Hand Mode".
- iPod can be operated when it conforms to the iPod control function.

Favorite Control

Favorite Preset Memory

Registering the operation procedure to select your favorite broadcast station or iPod Playlists/ Artists, etc.

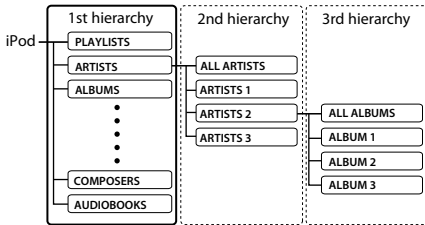
1 Display a favorite item

Source	Registerable items
iPod	List selection screen for Playlists/ Artists/ Albums, etc.
Hands-free phone	Telephone number retrieval.

"FAV" is displayed when the operation procedure can be registered.

iPod setting

The desired list in the first hierarchy can be registered.



2 Enter Favorite Preset Memory mode

Press the [FNC] button for at least 1 second.

3 Select the number to put in the memory

Turn the Control knob.

4 Put the Favorite Preset in the memory

Press the Control knob.

"Memory" is displayed.

Canceling the Favorite Preset Memory mode

Press the [FNC] button.



- Registering the operation procedure to an existing preset number overwrites the existing procedure.
- Register up to 6 Favorite Preset Memory settings.
- The same memory storage operation can be used for "MENU" and "SETUP" in the section <Function Control> (page 6).

However, some currently selected sources cannot be recalled. For information on available sources, refer to Condition column in the section <Function Control>.

- If the items in the second or lower hierarchy are changed, the list in iPod will be changed by adding or deleting songs after the FAVORITE registration. Due to this, the list registered in this unit will be different from the list in iPod. The FAVORITE registration should be performed again after editing the items in iPod.

Favorite Preset Recall

Retrieving an item registered to Favorite.

1 Enter Favorite Preset Recall mode

Select "FAV".

For how to select Function Control item, refer to <Function Control> (page 6).

2 Select the number to recall in the Favorite memory

Turn the Control knob.

3 Recall the Favorite Preset

Press the Control knob.

Canceling the Favorite Preset Recall mode

Press the [FNC] button.



- When iPod is selected for the source, the list selection screen for Playlists/ Artists/ Albums, etc. is displayed. Songs will not be automatically played.

Favorite Preset Memory Delete

Deleting an item registered to Favorite.

1 Enter Favorite Preset Memory Delete mode

Select "MENU" > "Favorite Delete".

For how to select Function Control item, refer to <Function Control> (page 6).

2 Enter Favorite Preset Memory Delete mode

Press the Control knob for at least 1 second.

3 Select the number you want to delete

Turn the Control knob and push the center when the desired number is displayed.

"Delete?" is displayed.

Select "ALL" if you want to delete all.

4 Turn the Control knob to select "YES", and then press the Control knob.

"Completed" is displayed.

Exit Favorite Preset Memory Delete mode.

Favorite Name Setting

Giving a name to Preset Memory registered to Favorite.

1 Enter Favorite Preset Recall mode

Select "FAV".

For how to select Function Control item, refer to <Function Control> (page 6).

2 Retrieve the Favorite memory to change

Turn the Control knob.

3 Enter Favorite Name set mode

Press the Control knob for at least 1 second.

Select the "FAVORITE NAME SET" display.

4 Enter the name

Operation type	Operation
Move the cursor to the enter character position	Push the Control knob towards right or left.
Select the character type*	Press the Control knob.
Select the characters	Turn the Control knob or push it towards up or down.

* Each time you press the knob, the character type alternates between the types shown in the table below.

Character type	
Alphabet upper case	
Alphabet lower case	
Numbers and symbols	

5 Exit Favorite Name Set mode

Push the Control knob towards right or left to select "ENTER", and then press the Control knob.

Canceling the Favorite Name set

Press the [FNC] button.

Input Level Adjust

Adjusts the USB I/F and AUX input level.

1 Select Input Level Adjust mode

Select "MENU" > "Input Level ADJ" ("INPUT LV").

For how to select Function Control item, refer to <Function Control> (page 6).

2 Enter Input Level Adjust mode

Press the Control knob for at least 1 second.

3 Adjust the Input Level

Turn the Control knob.

4 Exit Input Level Adjust mode

Press the [FNC] button.

Transmission Frequency Setting

Setting the transmission frequency.

1 Select Transmission Frequency Setting mode

Select "MENU" > "TransmissionFREQ" ("FREQ").

For how to select Function Control item, refer to <Function Control> (page 6).

2 Enter Transmission Frequency Setting mode

Press the Control knob for at least 1 second.

3 Select the transmission frequency

Turn the Control knob.

4 Determine the transmission frequency

Press the Control knob for at least 1 second.

"*" is displayed on the confirmed transmission frequency.

5 Exit Transmission Frequency Setting mode

Press the [FNC] button.

Operation of hands-free phoning

Before Use

- For details on the Bluetooth cell-phone with the hands-free function, see <About the Cell-Phone> (page 26).
- You need to register your cell-phone before using it with this unit. For more details, see <Registering Bluetooth device> (page 20).
- If you have registered two or more cell-phones, you need to select one of them. For more details, see <Selecting the Bluetooth device You Wish to Connect> (page 21).
- To use the Phone Book, it must be downloaded to this unit in advance. For details, see <Downloading the Phone Book> (page 21).
- "BT" indicator is lit when a cell-phone is connected to this unit.

Receiving a call

Answering a Phone Call


Press the  button.

When a vehicle audio source is playing, switch the source to this unit (AUX). When using the transmitter function, tune your tuner frequency to the transmitter frequency set with this unit.




- A phone call cannot be noticed with this unit powered off.
Setting "MENU" > "Power Off Mode" ("PWR OFF") of <Function Control> (page 6) to "2", the power will be automatically turned on when there is an incoming call.
- If a USB device is connected during a call the call will be disconnected.
- The name of the calling party is displayed if it has already been registered in the Phone Book.

Rejecting an Incoming Call

Press the [SRC] button or press the  button.

During a call

Disconnecting a Call

Press the [SRC] button or press the  button.

Switching to the Private Mode

Press the Control knob for at least 1 second.
Switches between Private talk ("PRIVATE") and Hands-free talk each time this button is pressed.



- Depending on the type of your cell-phone, switching to the private talk mode may select the source that was used before commencing the hands-free connection. If this happens, the source cannot be switched back to the hands-free talk mode by operating this unit. Operate your cell-phone to return to the hands-free talk mode.

Call waiting

Answering Another Incoming Call with the Current Call Suspended

- 1 Press the Control knob.
- 2 Turn the Control knob or push it towards up or down. Select the "ANSWER" display.
- 3 Press the Control knob.

Answering another Incoming Call after Terminating the Current Call

Press the [SRC] button.

Answering the Waiting Call after Terminating the Current Call

Press the [SRC] button.

Switching between the Current Call and Waiting Call

Press the Control knob.

Each pressing of this knob switches the calling party.

Other functions

Clearing the Disconnection Message

Press the [SRC] button.

"HF Disconnect" ("HF D-CON") disappears.

Making a call

1 Enter dialing method mode

Press the **[]** button.

2 Select a dialing method

Press the Control knob.

"DIAL" ("N-DIAL") » "INITIAL" ("PB-BOOK1") » "PHONE BOOK" ("PB-BOOK2") » "OUT-CALL" » "IN-CALL" » "MISSED CALLS" ("MIS-CALL")

Methods of operations in the above modes are described below.

3 Exit the dialing method mode

Press the **[]** button.

Dial a number

1 Enter dialing method mode

Press the **[]** button.

2 Select the number dial mode

Press the Control knob.

Select the "DIAL" ("N-DIAL") display.

3 Enter a phone number

Operation type	Operation
Select the characters	Turn the Control knob or push it towards up or down.
Determine the characters.	Push the Control knob towards right.
Delete the characters.	Push the Control knob towards left.

4 Make a call

Press the Control knob for at least 1 second.



- You can input max 32 digits.

Speed dialing (Preset dial)

1 Enter dialing method mode

Press the **[]** button.

2 Press the Control knob.

Select the "DIAL" ("N-DIAL"), "PHONE BOOK" ("PB-BOOK2"), "OUT-CALL", "IN-CALL", or "MISSED CALLS" ("MIS-CALL") display.

3 Enter preset dial mode

Press the **[FNC]** button.

4 Select the number you want to recall from the memory

Turn the Control knob or push it towards up or

down.

5 Press the Control knob.

Phone number is displayed.

6 Make a call

Press the Control knob for at least 1 second.



- You need to register the preset dial number. Refer to <Registering to the Preset Dial Number List> (page 18)

Calling a number in the Phone Book

1 Enter dialing method mode

Press the **[]** button.

2 Select the Phone Book mode

Press the Control knob.

Select the "INITIAL" ("PB-BOOK1") display, proceed to step 3.

Select the "PHONE BOOK" ("PB-BOOK2") display, proceed to step 4.

3 Select the initial to be searched for

Operation type	Operation
Move to the next character.	Turn the Control knob or push it towards right or left.
Move to the next row.	Push the Control knob towards up or down.
Determine the selected initial.	Press the Control knob for at least 1 second.

4 Select the name

Operation type	Operation
Move to the next phone number.	Turn the Control knob or push it towards up or down.
Move to the next name.	Push the Control knob towards right or left.

Switching between Display Modes

Press the **[FNC]** button.

Pressing this button each time switches between name and telephone number.

5 Make a call

Press the Control knob for at least 1 second.



- During search, a non-accent character such as "u" is searched for instead of an accent character such as "ü".

Operation of hands-free phoning

Calling a number in the call log

1 Enter dialing method mode

Press the  button.

2 Select the call log mode

Press the Control knob.

Select the "OUT-CALL" (outgoing call), "IN-CALL" (incoming call), or "MISSED CALLS" ("MIS-CALL") (missed call) display.

3 Select a name or phone number

Turn the Control knob or push it towards up or down.

Switching between Display Modes

Press the [FNC] button.

Pressing this button each time switches between name and telephone number.

4 Make a call

Press the Control knob for at least 1 second.



- The outgoing call list and the incoming call list, and the missed call list are the lists of calls originated from and received at this unit. They are not the ones stored in the cell-phone memory.

Make a voice dialing call

1 Enter voice recognize mode

Select "BT" > "Voice Recognize" ("V-RECOG").

For how to select Function Control item, refer to <Function Control> (page 6).

"Ready" is displayed.

2 Press the Control knob.

"PB Name?" ("PB NAME?") is displayed.

When a beep is heard speak the name within 2 second.

3 "PN Type?" ("PN TYPE?") is displayed.

When a beep is heard speak the category within 2 second.

4 Make a call

Press the Control knob for at least 1 second.

- This step is the same as step 3 of the procedure in <Calling a number in the Phone Book> (page 17). You can make a call or select a category.



- If your voice cannot be recognized, a message is displayed. Refer to <Troubleshooting Guide> (page 37). Pressing the Control knob allows you to retry voice input.

- Both the name and category requires registration of a voice tag. Refer to <Setting a Voice Command for Category> (page 23)
- Audio sound is not output during voice recognize.

Registering to the Preset Dial Number List

1 Enter the phone number you wish to register

Enter the phone number with reference to the following:
Dial a number/ Calling a number in the call log/
Calling a number in the Phone Book

2 Enter Preset Memory mode

Press the [FNC] button.

3 Select the number to put in the memory

Turn the Control knob or push it towards up or down.

4 Determine the number to put in the memory






Press the Control knob for at least 1 second.

Exit the Preset Memory mode

Press the [FNC] button.

Display of phone number type (category)

The category items in the Phone Book are displayed as follows:

Display	Information
"GENERAL" /  **	General
"HOME" /  **	Home
"OFFICE" /  **	Office
"MOBILE" /  **	Mobile
"OTHER" /  **	Other

*Function of KOS-D210 (Optional Accessory).

Bluetooth Audio Operation

Before Use

- For details on the Bluetooth Audio player which can be connected, see <About the Bluetooth Audio player> (page 26).
- You need to register your Bluetooth Audio player before using it with this unit. For more details, see <Registering Bluetooth device> (page 20).
- You to select the Bluetooth audio player you wish to connect. Refer to <Selecting the Bluetooth device You Wish to Connect> (page 21).

Basic Operation

Selecting Bluetooth Audio source

Press the [SRC] button.

Select the "BT Audio EXT" ("BT-A EXT") display.

For how to select source item, refer to <Power/Source Select button> of <Basic Operation> (page 4).

Pause and play

Press the Control knob.

Music Search

Push the Control knob towards right or left.



- All or some of the operations above cannot be performed if the Bluetooth audio player is not ready for remote control (AVRCP).
- Switching between Bluetooth audio sources does not start or stop playback automatically. Perform the operation for starting or stopping playback.
- Some audio players cannot be controlled remotely or reconnected after Bluetooth disconnection. Operate the main unit of the audio player to connect Bluetooth.

Bluetooth Setup

Registering Bluetooth device

To make your Bluetooth device (cell-phone) usable with this unit, you need to register it (pairing). You can register up to five Bluetooth devices to this unit.

When registering from Bluetooth devices

1 Turn on the control unit.

2 Start registering a unit by operating the Bluetooth device

By operating the Bluetooth device, register the hands-free unit (pairing). Select "KENWOOD BT200" from the list of connected units.

3 Enter a PIN code

Input the PIN code registered as mentioned in <Registering PIN Code> (page 20).

Check that registration is complete on the Bluetooth device.

4 By operating the Bluetooth device, start hands-free connection.

When registering from this unit

1 Select Bluetooth device registration mode

Select "MENU" > "Device Regist" ("DVS REG").

For how to select Function Control item, refer to <Function Control> (page 6).

2 Enter Bluetooth device registration mode

Press the Control knob for at least 1 second.

Search for the Bluetooth device.

When search is completed, "Finished" ("FINISHED") is displayed.

3 Select the Bluetooth device

Turn the Control knob and push the center when the desired Bluetooth device is displayed.

4 Input the PIN code

Operation type	Operation
Select the numbers.	Turn the Control knob or push it towards up or down.
Move to the next digit.	Push the Control knob towards right.
Delete the last digit.	Push the Control knob towards left.

5 Transmit the PIN code

Press the Control knob for at least 1 second.

If "Pairing Success" ("PAIR OK") is displayed, registration is completed.

6 Return to the device list

Press the Control knob.

7 Exit Bluetooth device registration mode

Press the [FNC] button.



- This unit allows up to eight digits to be input for a PIN code. If a PIN code cannot be input from this unit, it can be input from the Bluetooth device.
- If there are 5 or more Bluetooth devices registered, you cannot register a new Bluetooth device.
- If the error message appears even though the PIN code is correct, try <Registering Special Bluetooth device> (page 20).

Registering Special Bluetooth device

Allow registration of a special device that cannot be registered normally (pairing).

1 Select Special device registration mode

Select "MENU" > "SPCL DVC Select" ("SDVC SEL").

For how to select Function Control item, refer to <Function Control> (page 6).

2 Enter Special device registration mode

Press the Control knob for at least 1 second.

A list is displayed.

3 Select a device name

Turn the Control knob and push the center when the desired device name is displayed.

If "Completed" is displayed, registration is completed.

4 Go through the procedure of <Registering Bluetooth device> (page 20) and complete the registration (pairing).

Canceling Special device registration mode

Press the [FNC] button.



- If the device name is not in the list, select "Other Phones".

Registering PIN Code

By operating the Bluetooth device, specify the PIN code necessary for registering this unit.

1 Select PIN code edit mode

Select "MENU" > "PIN Code Edit" ("PIN EDIT").

For how to select Function Control item, refer to <Function Control> (page 6).

2 Enter PIN code edit mode

Press the Control knob for at least 1 second.
The current setting of PIN code is displayed.

3 Input the PIN code

Operation type	Operation
Select the numbers.	Turn the Control knob or push it towards up or down.
Move to the next digit.	Push the Control knob towards right.
Delete the last digit.	Push the Control knob towards left.

4 Register a PIN code

Press the Control knob for at least 1 second.
If "Completed" is displayed, registration is completed.

5 Exit PIN code edit mode

Press the [FNC] button.



- By default, "0000" is specified.
- A PIN code can be specified with up to eight digits.

Downloading the Phone Book

Download the phone book data from the cell-phone so you can access the phone book from this unit.

To download automatically

If the cell-phone supports a phone book synchronization function, the phone book is downloaded automatically after Bluetooth connection.



- Setting on the cell-phone may be required.
- If no phone book data is found in the unit even after the "Completed" display, your cell phone may not support automatic download of phone book data. In this case try downloading manually.

To download from the cell-phone manually

1 By operating the cell-phone, end the hands-free connection.

2 By operating the cell-phone, send the phone book data to this unit

By operating the cell-phone, download the phone book data to this unit.

- During downloading:
"Downloading" ("DOWNLOAD") is displayed.
- After completion of downloading:
"Completed" ("COMPLETE") is displayed.

3 By operating the cell-phone, start the hands-free connection.

To clear the downloading completion message

Press any button.



- Up to 1000 phone numbers can be registered for each registered cell-phone.
- Up to 32 digits can be registered for each phone number along with up to 50* characters representing a name. (* 50: Number of alphabetic alphabetical characters. Fewer characters can be input depending on the type of characters.)
- To cancel downloading of the phone book data, operate the cell-phone.

Selecting the Bluetooth device You Wish to Connect

When two or more Bluetooth devices have already been registered, you need to select the Bluetooth device you wish to use.

1 Select Bluetooth device selection mode

Cell-phone

Select "MENU" > "Phone Selection" ("PHN-SEL").

Audio player

Select "MENU" > "Audio Selection" ("AUD-SEL").

For how to select Function Control item, refer to <Function Control> (page 6).

2 Enter Bluetooth device selection mode

Press the Control knob for at least 1 second.

"(name)" is displayed.

3 Select the Bluetooth device

Turn the Control knob.

4 Set up the Bluetooth device

Push the Control knob towards right or left.

"*(name)" or "-(name)" is displayed.

"*": The selected Bluetooth device is busy.

"-": The selected Bluetooth device is on standby.

" " (blank): The Bluetooth device is deselected.

5 Exit Bluetooth device selection mode

Press the [FNC] button.



- If a cell-phone is already selected, deselect it, and then select a different one.
- If you cannot select a device using the audio player, connect the device with the audio player.

Bluetooth Setup

Deleting a Registered Bluetooth device

You can delete a registered Bluetooth device.

1 Select Bluetooth device deletion mode

Select "MENU" > "Device Delete" ("DVC-DEL").

For how to select Function Control item, refer to <Function Control> (page 6).

2 Enter Bluetooth device deletion mode

Press the Control knob for at least 1 second.

"(name)" is displayed.

3 Select the Bluetooth device

Turn the Control knob.

4 Delete the selected Bluetooth device

When connecting to KOS-D210:

Press the Control knob.

"Delete?" is displayed.

When not connecting to KOS-D210:

Press the Control knob for at least 1 second.

"Delete" is displayed.

5 Turn the Control knob to select "YES", and then press the Control knob. (When connecting to KOS-D210)

"Delete" is displayed.

6 Exit Bluetooth device deletion mode

Press the [FNC] button.



- When a registered cell-phone is deleted, its Phone Book, log, SMS, and voice tag are also deleted.

Displaying the Firmware Version

Display the version of the firmware of this unit.

1 Enter Bluetooth Firmware update mode

Select "MENU" > "BT F/W Update" ("BT FW UP").

For how to select Function Control item, refer to <Function Control> (page 6).

2 Enter Bluetooth Firmware update mode

Press the Control knob for at least 1 second.

The firmware version appears.

3 Exit Bluetooth Firmware update mode

Press the [FNC] button.



- For how to update the firmware, access our web site.
<http://www.kenwood.com/bt/information/>

Adding a voice dialing command

Add a voice tag to the phonebook for voice dialing.

You can register up to 35 voice tags.

1 Select Phonebook name edit mode

Select "BT" > "Voice Tag" ("VOICETAG") > "PB Name Edit" ("NAME EDT").

For how to select Function Control item, refer to <Function Control> (page 6).

2 Enter Phonebook name edit mode

Press the Control knob.

3 Search for the name to register

Select the name to register with reference to 4 in <Calling a number in the Phone Book> (page 17).

If a voice tag has already been registered for a name, "*" is displayed before the name.

4 Select a mode

Turn the Control knob.

Display	Operation
"PB Name Regist" ("NAME REG")	Register a voice tag.
"PB Name Check" ("NAME CHK")*	Play a voice tag.
"PB Name Delete" ("NAME DEL")*	Delete a voice tag.
"Return" (RETURN)	Return to step 2.

* Displayed only when a name for which a voice tag has been registered is selected.

Select "PB Name Regist" ("NAME REG") (Regist)

5 Register a voice tag (first)

Press the Control knob.

"Enter Voice 1" ("ENTER 1") is displayed.

When a beep is heard, speak a voice tag within 2 seconds.

6 Confirm the voice tag (second)

Press the Control knob.

"Enter Voice 2" ("ENTER 2") is displayed.

When a beep is heard, speak the same voice tag that was spoken in step 5 within 2 seconds.

"Completed" ("COMPLETE") is displayed.

7 End registration

Press the Control knob.

Return to step 2. You can register another voice tag continuously.



- If your voice cannot be recognized, a message is displayed. Refer to <Troubleshooting Guide> (page 37). Pressing the Control knob allows you to retry voice input.

Select "PB Name Check" ("NAME CHK") (Play)

5 Press the Control knob.

Play the registered voice and return to step 2.

Select "PB Name Delete" ("NAME DEL") (Delete)

5 Delete a voice tag

Press the Control knob.

6 Turn the Control knob to select "YES", and then press the Control knob. (When connecting to KOS-D210)

"Delete" is displayed.

Exit Phonebook name edit mode

Press the [FNC] button.



- Audio sound is not output during voice tag registration.

Setting a Voice Command for Category

Add a voice tag to the phone number category (type) for voice calling.

1 Select Phone Number type edit mode

Select "BT" > "Voice Tag" ("VOICETAG") > "PN Type Edit" ("TYPE EDT").

For how to select Function Control item, refer to <Function Control> (page 6).

2 Enter Phone Number type edit mode

Press the Control knob.

3 Select the category (type) you wish to set

Turn the Control knob and push the center when the desired category name is displayed.

"General" ("GENERAL")/ "Home" ("HOME")/ "Office" ("OFFICE")/ "Mobile" ("MOBILE")/ "Other" ("OTHER")

4 Select a mode

Turn the Control knob.

Display	Operation
"PN Type Regist" ("TYPE REG")	Register a voice tag.
"PN Type Check" ("TYPE CHK")	Play a voice tag.
"PN Type Delete" ("TYPE DEL")	Delete a voice tag.
"Return" ("RETURN")	Return to step 2.

5 Register the category (type) by performing steps 5 to 7 in <Adding a voice dialing command> (page 22).

6 Exit Phone Number type edit mode

Press the [FNC] button.



- Set the voice tag for all the 5 categories. If the voice tag is not registered for all the categories, the Phonebook may not be recalled by voice command.

Bluetooth Setup

SMS (Short Message Service)

The SMS arrived at the cell-phone is displayed on the receiver.

A newly arrived message is displayed.



- To prevent car accidents, the driver should not read the SMS while driving.

When a new message arrives

"SMS Received" is displayed.

The display disappears with any operations.

Displaying the SMS

1 Select SMS Inbox mode

Select "BT" > "SMS" > "SMS Inbox" ("INBOX").

For how to select Function Control item, refer to <Function Control> (page 6).

2 Enter SMS Inbox mode

Press the Control knob.

A message list appears.

3 Select a message

Turn the Control knob.

Each pushing of the Control knob towards right or left switches between telephone number or name and message reception date.

4 Display the text

Press the Control knob.

Turning the Control knob scrolls the message. Pressing the Control knob again returns to the message list screen.

5 Exit SMS Inbox mode

Press the [FNC] button.



- The unopened message is displayed at the beginning of the list. Other messages are displayed in the order of reception.
- The SMS that has arrived when the cell-phone is not linked with Bluetooth cannot be displayed. Download the SMS.
- The short message cannot be displayed during downloading the SMS.

Downloading the SMS

Download the short message (SMS) arrived at the cell-phone so that it can be read on this unit.

1 Select SMS download mode

Select "BT" > "SMS" > "SMS Download" ("SMS DL").

For how to select Function Control item, refer to <Function Control> (page 6).

2 Enter SMS download mode

Press the Control knob.

A message list appears.

3 Start downloading

Press the Control knob.

"SMS Downloading" ("SMS DL") is displayed.

When the downloading finishes, "Completed" ("COMPLETE") is displayed.

4 Exit SMS download mode

Press the [FNC] button.



- The cell-phone must be able to transmit the SMS using Bluetooth. Setting on the cell-phone may be required. If the cell-phone does not support SMS function, the SMS download item in Function Control mode is not displayed.
- When the SMS is downloaded from the cell-phone, the unopened messages in the cell-phone are opened.
- The already-read and unread short messages can be respectively downloaded up to 75.

Appendix

About Audio file

• Playable Audio file

AAC-LC (.m4a), MP3 (.mp3), WMA (.wma), WAV (.wav)

• Playable USB device

USB mass storage class

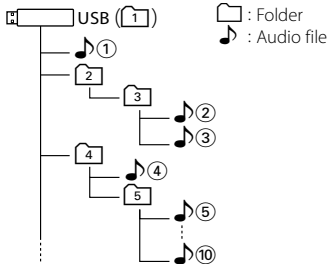
• Playable USB data storage device file system

FAT16, FAT32

Although the audio files are complied with the standards listed above, the play maybe impossible depending on the types or conditions of media or device.

• Playing order of the Audio file

In the example of folder/file tree shown below, the files are played in the order from ① to ⑩.



An online manual about audio files is put on the site, www.kenwood.com/audiofile/. On this online manual, detailed information and notes which are not written in this manual are provided. Make sure to read through the online manual as well.



- In this manual, the word "USB device" is used for data storage device and digital audio players which have USB terminals.

About "KENWOOD Music Editor"

- This unit supports the PC application "KENWOOD Music Editor version 3.0" or later.
- When you use the audio file with database information added by the "KENWOOD Music Editor ver3.0", you can search a file by title, album or artist name using the <Music Search> (page 11).
- In this manual, "Music Editor media" means the device that contains music data exported with KENWOOD Music Editor.
- "KENWOOD Music Editor ver3.0" is available from the following web site: www.kenwood.com
- For further information on "KENWOOD Music Editor ver3.0", refer to the site above or the application help.

iPod/iPhone that can be connected to this unit

Made for

- iPod nano (1st generation)
- iPod nano (2nd generation)
- iPod nano (3rd generation)
- iPod nano (4th generation)
- iPod with video
- iPod classic
- iPod touch (1st generation)
- iPod touch (2nd generation)

Works with

- iPhone
- iPhone 3G



- Update iPod/iPhone software to the latest version.
- The word "iPod" appearing in this manual indicates the iPod or the iPhone connected with the iPod connection cable* (optional accessory).
- * Not supported model KCA-iP500.

Refer to the web site for connectable iPod and iPod connection cable.

www.kenwood.com/ipod/kca_ip/



- If you start playback after connecting the iPod, the music that has been played by the iPod is played first.
In this case, "RESUMING" is displayed without displaying a folder name, etc. Changing the browse item will display a correct title, etc.
- You cannot operate iPod if "KENWOOD" or "✓" displayed on iPod.

About USB device

- When the USB device is connected to this unit, it can be charged up provided that this unit is powered.
- Install the USB device in the place where it will not prevent you from driving your vehicle properly.
- You cannot connect a USB device via a USB hub.
- Take backups of the audio files used with this unit. The files can be erased depending on the operating conditions of the USB device.
We shall have no compensation for any damage arising out of erasure of the stored data.
- No USB device comes with this unit. You need to purchase a commercially available USB device.
- When connecting the USB device, usage of the USB cable (accessory) is recommended. Normal playback is not guaranteed when a cable other than the USB compatible cable is used. Connecting a cable whose total length is longer than 5 m can result in abnormal playback.

Appendix

Bluetooth unit (Optional Accessory) that can be connected to this unit

- KCA-BT200

About the Cell-Phone

This unit conforms to the following Bluetooth specifications:

Version	Bluetooth Standard Ver. 1.2
Profile	HFP (Hands Free Profile) OPP (Object Push Profile) PBAP (Phonebook Access Profile) SYNC (Synchronization Profile)

For the cell-phones verified for compatibility, access the following URL:

<http://www.kenwood.com/bt/information/>



- The units supporting the Bluetooth function have been certified for conformity with the Bluetooth Standard following the procedure prescribed by Bluetooth SIG. However, it may be impossible for such units to communicate with your cell-phone depending on its type.
- HFP is a profile used to make a hands-free call.
- OPP is a profile used to transfer data such as a phone book between units.

About the Bluetooth Audio player

This unit conforms to the following Bluetooth specifications:

Version	Bluetooth Standard Ver. 1.2
Profile	A2DP (Advanced Audio Distribution Profile) AVRCP (Audio/Video Remote Control Profile)



- A2DP is a profile designed to transfer the music from an audio player.
- AVRCP is a profile designed to control playback and selection of music by an audio player.

Menu Glossary

• Auto Answer (ANS)

This function automatically answers (responds to) a call after lapse of the preset time interval for automatic answer.

“OFF”: Does not answer the phone call automatically.

“0”: Automatically answers the phone call at once.

“1s” – “99s”: Automatically answers the phone call after lapse of 1 – 99 seconds.



- If the time set in the cell-phone is shorter than that set in the unit, the former will be used.
 - This function does not work for call waiting.
- ### • Call Beep (C-BP)
- You can output a beep from the speaker when a call comes in.
- “ON”: Beep is heard.
- “OFF”: Beep is canceled.
- ### • Display (DISP OFF)
- If this unit is not operated at least 5 seconds with “OFF” selected, the display turns off. During a setup mode, the display will not turn off even if 5 seconds lapse.
- ### • DISP DIM (DIM)
- Reduces the display illumination brightness.
- AUTO: Dims the illumination in conjunction with the Light switch of the vehicle.
- MNAL1: Dims the illumination constantly.
- MNAL2: Dims the illumination darker than MNA1.
- OFF: Does not dim the illumination.
- ### • DISP N/P
- Switches the display between positive or negative. In addition, you can reverse it in conjunction with the interior light.
- POS1 : Displays the text in the positive.
- POS12 : When the interior light is off, the text is displayed in the positive; when the interior light is on, the text is displayed in the negative.
- NEGA1 : Displays the text in the negative.
- NEGA2 : When the interior light is off, the text is displayed in the negative; when the interior light is on, the text is displayed in the positive.

- **BT DVC Status (D-STATUS)**

You can display the connection status, signal strength, and battery level.

 : Battery level of cell-phone.

Full       Nearly dead

 : Signal strength of cell-phone.

Maximum      Minimum



- Icons are not displayed if information cannot be obtained from the cell-phone.
- Since the number of steps for signal and battery level may differ on this device compared to your phone you could experience some inconsistencies.

- **Power Off Mode (PWR OFF)**

Sets the power-off condition of this unit.

"1": All functions stop during power off.

"2": The power is automatically turned on when there is an incoming call during power off.

However, remember the followings when setting to "2":

The setting should be left "1" if the vehicle does not have the ACC position, because setting to "2" will provide a constant current of electricity.

Restore the setting to "1" if the seek function cannot be stop when using the tuner. Setting to "2" activates part of the internal circuit and decreases the receiver sensitivity.

- **Russian (RUS)**

When this is set to ON, the following character strings are displayed in Russian:

Folder name/ File name/ Song title/ Artist name/ Album name/ KCA-BT200 (optional accessory)

- **SCL Speed (SCL-SPD)**

You can set the scroll speed time of the vehicle display. Adjust the scroll speed time with this function when the proper view of characters does not appear on the vehicle display.

- **SP Select (SPK)**

You can specify the voice output speakers.

"All" ("ALL"): Outputs voice from the left and right speakers.

"Right" ("RCH"): Outputs voice from the right speaker.

"Left" ("LCH"): Outputs voice from the left speaker.



- Select the speaker which is further from the microphone in order to prevent howling or echoes.

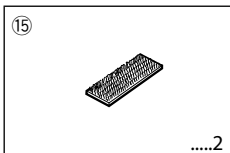
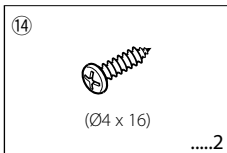
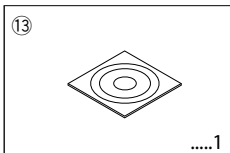
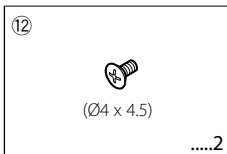
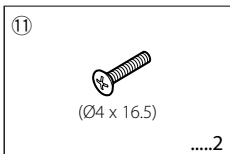
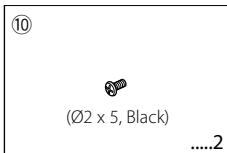
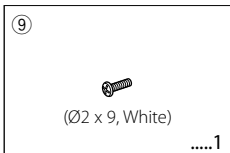
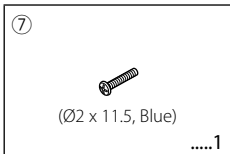
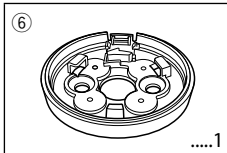
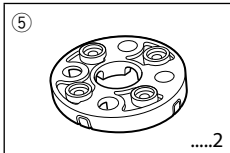
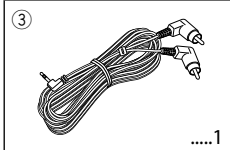
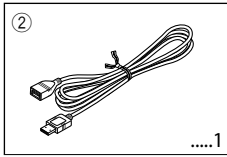
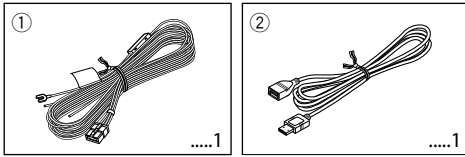
- **Supreme**

Technology to extrapolate and supplement with proprietary algorithm, the high-frequency range that is cut off when encoding at low bit rate (less than 128Kbps, Sampling frequency is 44.1kHz). Supplementing is optimized by compression format (AAC, MP3, and WMA) and processed according to bit rate.

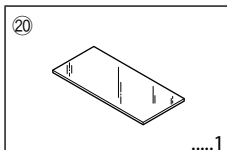
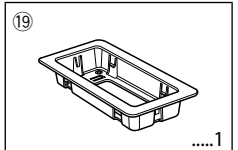
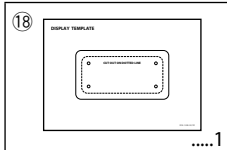
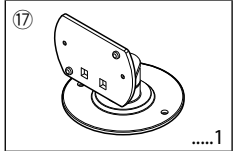
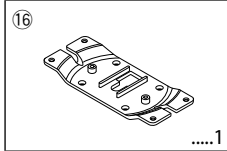
The effect is negligible with music that is encoded at high bit rate, variable bit rate or has minimal high frequency range.

Accessories

Accessories



The following parts are attached to Display unit KOS-D210 (Optional Accessory).



Installation Procedure

Installation Procedure

1. To prevent a short circuit, remove the key from the ignition and disconnect the ⊖ battery.
2. Make the proper input and output wire connections for each unit.
3. Connect the wiring harness wires in the following order: ground, battery, ignition.
4. Connect the wiring harness connector to the unit.
5. Install the unit in your car.
6. Reconnect the ⊖ battery.

⚠WARNING

If you connect the ignition wire (red) and the battery wire (yellow) to the car chassis (ground), you may cause a short circuit, that in turn may start a fire. Always connect those wires to the power source running through the fuse box.



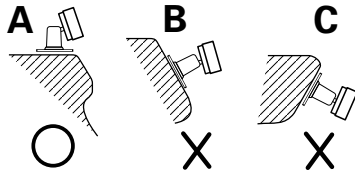
- Do not install the controller and display unit on the surface where your vision is blocked and driving interfered.
- Before installation, check that no fuel tank, pipe, nor wire exists at backside of the mounting surface, to prevent screws from penetrating into such component.
- Mounting and wiring this product requires skills and experience. For safety's sake, leave the mounting and wiring work to professionals.
- Make sure to ground the unit to a negative 12V DC power supply.
- Do not install the unit in a spot exposed to direct sunlight or excessive heat or humidity. Also avoid places with too much dust or the possibility of water splashing.
- Do not use your own screws. Use only the screws provided.
- If you use the wrong screws, you could damage the unit.
- If your car's ignition does not have an ACC position, connect the ignition wires to a power source that can be turned on and off with the ignition key. If you connect the ignition wire to a power source with a constant voltage supply, as with battery wires, the battery may die.
- If the fuse blows, first make sure the wires aren't touching to cause a short circuit, then replace the old fuse with one with the same rating.
- Insulate unconnected wires with vinyl tape or other similar material. To prevent a short circuit, do not remove the caps on the ends of the unconnected wires or the terminals.
- After the unit is installed, check whether the brake lamps, blinkers, wipers, etc. on the car are working properly.

Installation for Display Unit

Installation location and cleaning

Select for installation a location where the stand can be placed completely horizontal shown in Figure **A**.

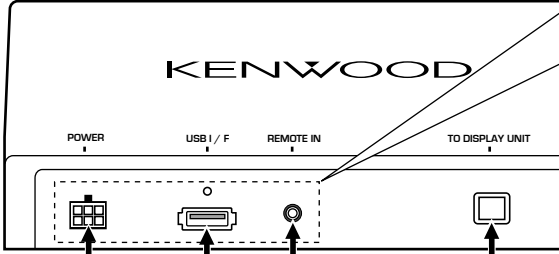
Do not install in locations where the entire support is at a diagonal such as in Figure **B** or where the display unit is facing down such as in Figure **C**.



- Thoroughly wipe away and dust or grease from the installation location using a cloth which has been soaked in a neutral cleaning agent and wrung out. Attach the stand after allowing the installation location to dry.
- Do not attach the double-sided tape more than once or touch the adhesive with your fingers as this will weaken its adhesive strength.
- If the temperature of the surface of the installation location is low, warm it up using a heater or other means before attaching the stand. Low temperature may weaken the adhesive strength of the tape.
- The supplied stand is specially intended for this product. Do not use it with another display.

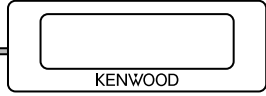
Connecting Wires to Terminals

Hideaway unit (Front side)



Accessory 4 is a cable clamp used to secure the terminals. A callout box contains the text: "To prevent USB cable and Display unit terminals from being unplugged, tie them to the wiring harness (Accessory 1) with the cable clamp (Accessory 4)." Below this text is a diagram showing the clamp being applied to a bundle of wires.

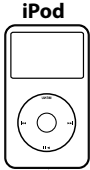
Display unit KOS-D210 (Optional Accessory)



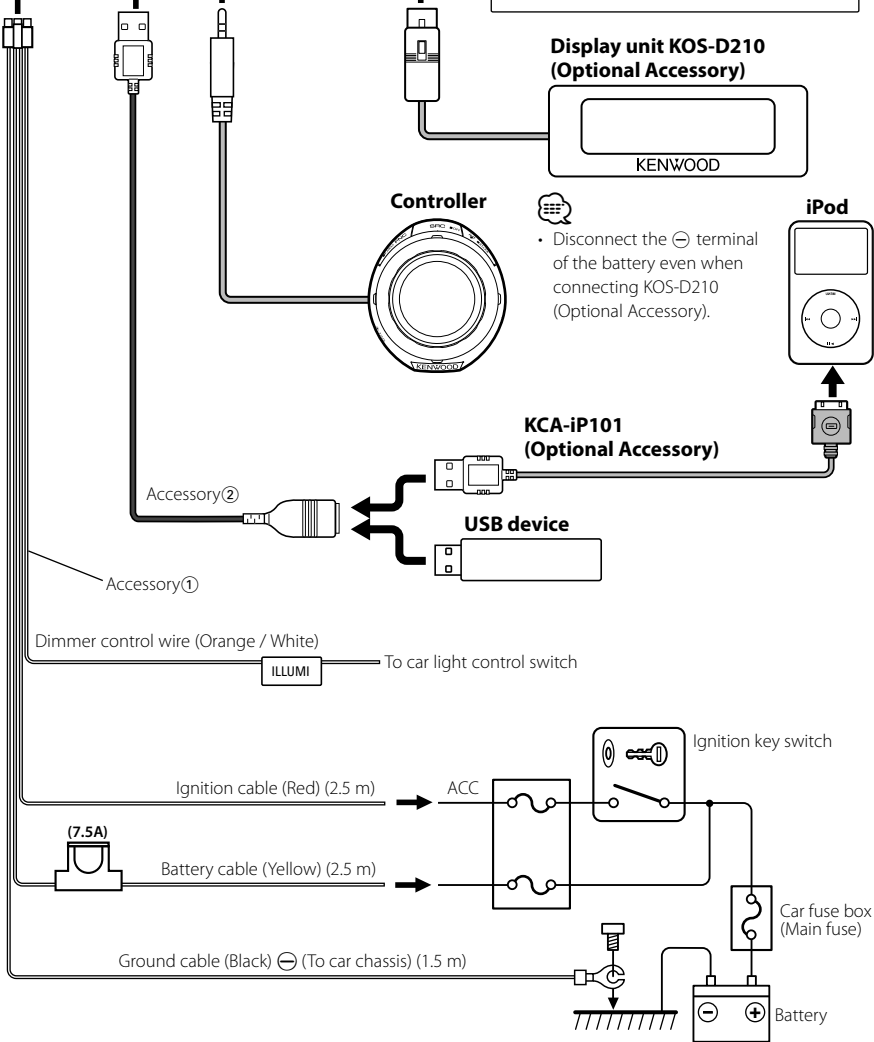
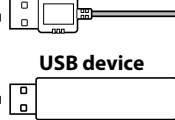
Controller



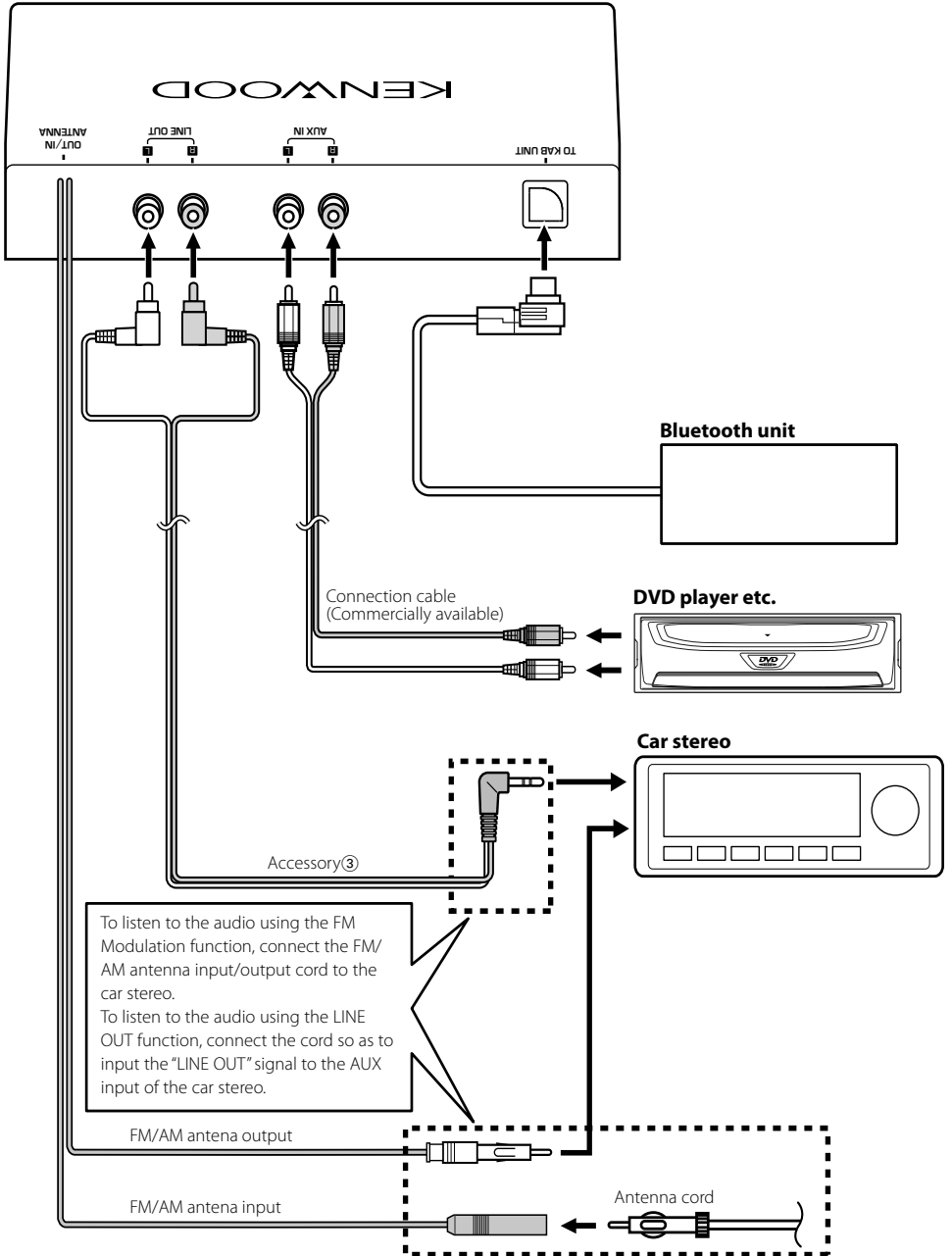
- Disconnect the ⊖ terminal of the battery even when connecting KOS-D210 (Optional Accessory).



KCA-iP101 (Optional Accessory)



Hideaway unit (Rear side)

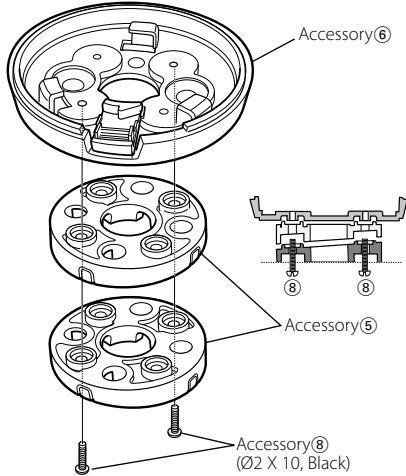


Installation

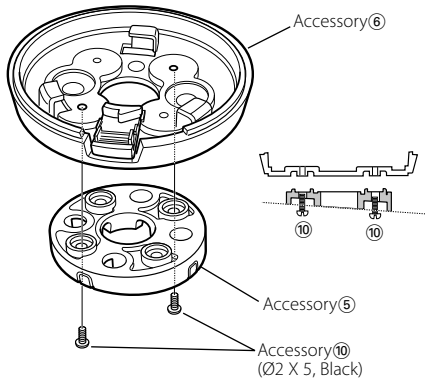
Installation of Controller

1 According to the installation angle of the controller, install Spacer (Accessory ⑤) to Bracket (Accessory ⑥) as described below.

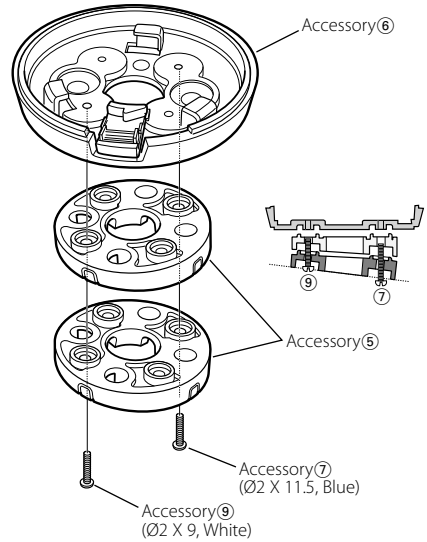
When installing on the 0-degree surface



When installing on the 4-degree surface

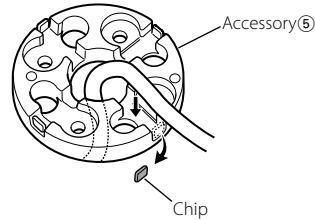


When installing on the 8-degree surface



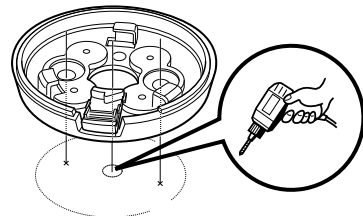
- The direct installation of Bracket (Accessory ⑥) without Spacer (Accessory ⑤) is also possible.

2 From Spacer (Accessory ⑤), remove the chip in the direction where you want to wire the controller cable.



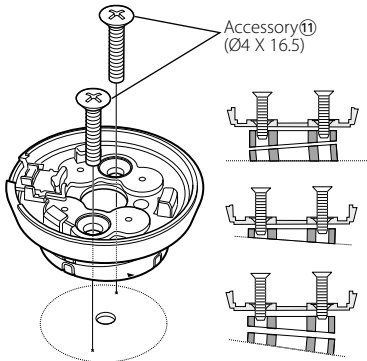
Break off the spacer chip in the direction where you want to wire the controller cable.

Drill a hole of 10 mm in diameter on the mounting surface when not using spacer or wiring the cable behind the mounting surface.

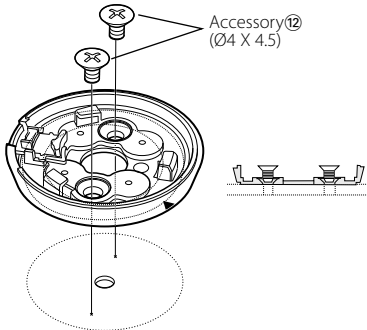


3 Install Bracket (Accessory ⑥).

When using spacer (Accessory ⑤)

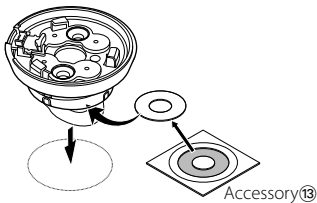


When not using spacer (Accessory 5)

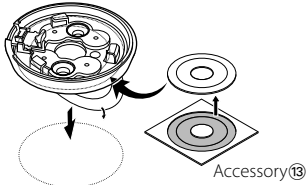


You can also install it using a double-sided tape (Accessory 13)

When using spacer (Accessory 5)

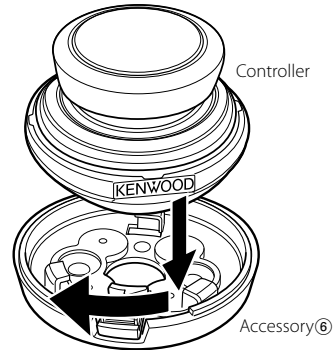


When not using spacer (Accessory 5)

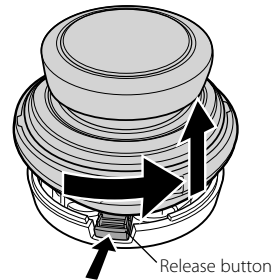


- Install the controller using the screws (Accessory 11/12) when it cannot be secured firmly using the double-sided tape.
- Thoroughly wipe away and dust or grease from the installation location using a cloth which has been soaked in a neutral cleaning agent and wrung out. Attach after allowing the installation location to dry.
- Do not attach the double-sided tape more than once or touch the adhesive with your fingers as this will weaken its adhesive strength.
- If the temperature of the surface of the installation location is low, warm it up using a heater or other means before attaching the stand. Low temperature may weaken the adhesive the double-sided tape.

4 Install the controller to bracket (Accessory ⑥).



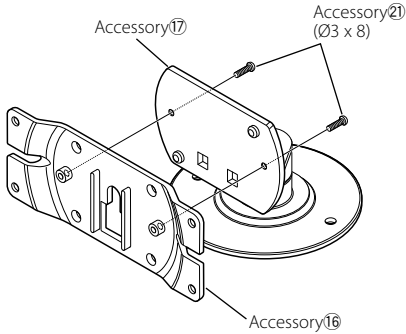
- When you remove the controller from bracket (Accessory ⑥), turn the controller while pressing the release button.



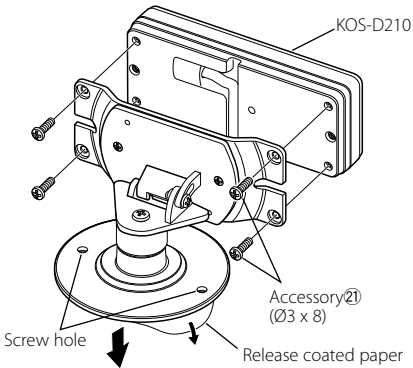
Installation

Installation of KOS-D210 — Display Stand Used —

- 1 Install the display bracket (Accessory 16) to the display stand (Accessory 17).



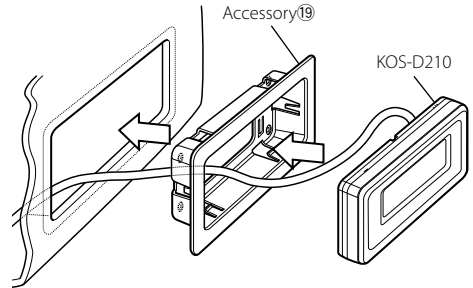
- 2 Install the KOS-D210 to the display bracket (Accessory 16).



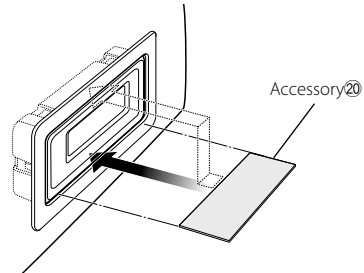
- 3 Remove the coated paper from the display stand (Accessory 17), and paste it on the mounting surface. Install the display unit using the screw holes illustrated above when it cannot be secured firmly using the double-sided tape.

Installation of KOS-D210 — Frame Used —

- 1 Using the display template (Accessory 18), drill a hole on the KOS-D210 installation position.
- 2 Install the display frame (Accessory 19) to the installation hole made in step 1.
- 3 Install the KOS-D210 to the display frame (Accessory 19).



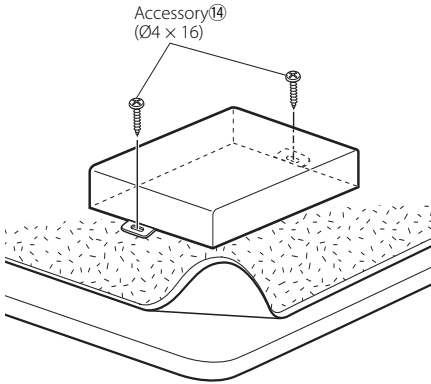
- Use Removal tool (Accessory 20) when you remove the KOS-D210 from the display frame (Accessory 19).



Installation for Hideaway Unit

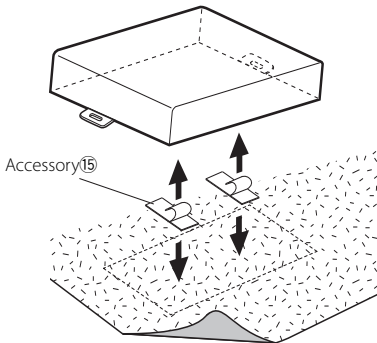
- **Installation using the self-tapping screws**

Use screws (Accessory 14) to fix Hideaway Unit onto an audio board or another.



- **Installation using the velcro tapes**

Remove the backing from the Velcro strips (Accessory 15) and attach it to the bottom of the Hideaway Unit. Install the Hideaway Unit on the carpet.



Troubleshooting Guide

Some functions of this unit may be disabled by some settings made on this unit.

❗ • Cannot set up Display.

- ▶ <Cancel the Demonstration mode> (page 5) is not turned off.

What might seem to be a malfunction in your unit may just be the result of slight misoperation or miswiring. Before calling service, first check the following table for possible problems.

General

? The sound skips when an Audio file is being played.

- ✓ The recording condition is bad.
 - ☞ Record the media again or use another media.

? The unit cannot be turned ON.

- ✓ The unit is malfunctioning for some reason.
 - ☞ Turn off the vehicle engine switch and then on.
- ✓ The terminal connection is not appropriate.
 - ☞ Check the connection of the controller, etc.

? The audio becomes distorted.

- ✓ The modulation level of the transmitter is high.
 - ☞ Adjust "MENU" > "ModulationLV" ("MOD LV") of <Function Control> (page 6).

? The receiver sensitivity of the vehicle radio is bad.

- ✓ The transmitter function of this unit is affecting the radio.
 - ☞ Turn off the power of this unit. Set "MENU" > "Power Off Mode" ("PWR OFF") of <Function Control> (page 6) to "1" when the setting is "2".

Hands-free

? No sound is heard from the rear speakers.

- ✓ You are talking in the hand-free talk mode.
 - ☞ No sound is heard from the rear speakers in the hands-free talk mode.

? No beep is heard at reception of an incoming call.

- ✓ No beep is heard depending on the type of your cell-phone.
 - ☞ The "MENU" > "Call Beep" of <Function Control> (page 6) is set ON.

? Voice is not recognized.

- ✓ The vehicle window is open.
 - ☞ If the surrounding noise is large, voice cannot be recognized properly. Close the vehicle windows to reduce noise.
- ✓ Small voice.
 - ☞ If voice is too small, it cannot be recognized properly. Speak into the microphone a little more loudly and naturally.
- ✓ The person speaking the voice tag is not the one who registered it.
 - ☞ Only the voice of the person who registered the voice tag can be recognized.

Bluetooth audio source

? The Bluetooth audio player cannot be registered (pairing).

- ✓ The PIN code is fixed.
 - ☞ When a PIN code is specified in the Instruction Manual for Bluetooth Audio Player, register it with reference to <Registering PIN Code> (page 20) to register the Bluetooth audio player. If no PIN code is specified in the Instruction Manual, try "0000".

? The sound from the Bluetooth audio player is intermittent.

- ✓ The distance between this unit and audio player is too far.
 - ☞ Move the audio player nearer to this unit.
- ✓ Another Bluetooth device is affecting the Bluetooth communication.
 - ☞ Turn off another Bluetooth device.
 - ☞ Move another Bluetooth device away from this unit.
- ✓ Another Bluetooth device or profile is used for communication.
 - ☞ The downloading of the Phone book or the SMS disconnects the sound.

The messages shown below display your systems condition.

NA FILE:

An Audio file is played with a format that this unit can't support.

Copy Protection (COPY PRD):

A copy-protected file is played.

Read Error (READ ERR):

The file system of the connected USB device is broken.

- ↔ Copy the files and folders for the USB device again. If the error message is still displayed, initialize the USB device or use other USB devices.

No Device (NODVICE):

The USB device is selected as a source although no USB device is connected.

- ↔ Change the source to any source other than USB. Connect an USB device, and change the source to USB again.

N/A Device (NADVICE):

- An unsupported USB device is connected.
- Connection to the iPod has failed.
- ↔ Check that the connected iPod is an iPod that is supported. See <About Audio file> (page 25) for information on supported iPods.

No Music Data (NOMUSIC)/Error 15:

- The connected USB device contains no playable audio file.
- Media was played that does not have data recorded that the unit can play.

USB ERROR (USB ERR):

Some trouble may have occurred to the connected USB device.

- ↔ Remove the USB device, then cycle the power switch to ON. If the same display is repeated, use another USB device.

iPod Error (IPOD ERR):

Connection to the iPod has failed.

- ↔ Remove the USB device and then reconnect it.
- ↔ Confirm that the software for the iPod is the latest version.

USB REMOVE (REMOVE):

The Remove mode has been selected for the USB device/iPod. You can remove the USB device/iPod safely.

NO Number (NO-NUMBER):

- The calling party does not notify a caller ID.
- There is no phone number data.

No Data (NO DATA):

- There is no outgoing call list.
- There is no incoming call list.
- There is no missed call list.
- There is no phone book list.

No Entry (NO ENTER):

The cell-phone has not been registered (pairing).

HF Disconnect (HF D-CON):

The unit cannot communicate with the cell-phone.

HF Error 07 (HF ERR07):

The memory cannot be accessed.

- ↔ Turn off the power and on again.

HF Error 68 (HF ERR68):

The unit cannot communicate with the cell-phone.

- ↔ Turn off the power and on again.

Un Known (UNKNOWN):

The Bluetooth device cannot be detected.

Device Full (DVS FULL):

5 Bluetooth device have already been registered. No more Bluetooth device cannot be registered.

PIN Code NG (CODE NG):

The PIN code is wrong.

Connect NG (CONNECTNG):

The unit cannot be connected to the device.

Pairing Failed (PAIR NG):

Pairing error.

Err No Matching (NO MATCH):

The voice tag is wrong. Voice cannot be recognized because of an unregistered voice tag, etc.

Too Soft (TOO SOFT):

Voice is too small and cannot be recognized.

Too Loud (TOO LOUD):

Voice is too large to be recognized.

Too Long (TOO LONG):

The word or speech is too long to be recognized.

No Phonebook (NO PB):

Data is not contained in the phone book.

No Message (NO SMS):

No short message in In Box.

No Record (NO REC):

The voice tag is not registered in the phonebook.

Memory Full (MEM.FULL):

The number of voice tags reaches the maximum number to be registered in the phonebook.

Favorite: No Memory:

The procedure is not registered to Favorite Preset Memory

NO ACCESS:

The procedure preset with Favorite Control cannot be available. The preset content may not be recalled depending on the selected source or mode.

No Voice (NO VOICE):

No call.

REMO ERROR (REMO ERR):

Some trouble may have occurred to the controller.

- ↔ After checking the connection to the controller, turn off the power and on again.

Specifications

FM mdulator section

Modulating Frequency (200kHz step)
: 87.9/ 88.1/ 88.3/ 88.5/ 88.7/ 88.9/ 89.1/ 89.3/
89.5/ 89.7/ 89.9 MHz

RDS Encode

RDS encode
: Compliant with CENELEC RDS Standard
EN50067

USB Interface

USB Standard
: USB1.1/ 2.0
Compatible Device
: Mass storage class
Compatible File System
: FAT16/ 32
Maximum Supply current
: 500 mA
MP3 decode
: Compliant with MPEG-1/2 Audio Layer-3
WMA decode
: Compliant with Windows Media Audio
AAC decode
: AAC-LC “m4a” files
WAV decode
: Linear-PCM

Auxiliary input

Input Maximum Voltage
: 1800 mV
Input Impedance
: 47 k Ω

Line Output

Output Maximum Voltage
: 1200 mV
Output Impedance
: $\leq 600 \Omega$

Other Terminals

Input
: KAB-BUS Interface

General

Operating voltage (10.5 – 16V allowable)
: 14.4 V
Maximum Current consumption
: 1.0 A
Dimensions (W x H x D)
Hideaway unit: 156 x 95 x 31 mm
Controller: 60 x 67 x 44 mm
Weight
Hideaway unit: 530 g
Controller: 81 g
Cable Length
Hideaway unit: 2.5 m
Controller: 2.0 m
RCA Cable: 3.0 m

- The “AAC” logo is trademark of Dolby Laboratories.
- iTunes is a trademark of Apple Inc.
- iPod is a trademark of Apple Inc., registered in the U.S. and other countries.
- iPhone is a trademark of Apple Inc.
- “Made for iPod” means that an electronic accessory has been designed to connect specifically to iPod and has been certified by the developer to meet Apple performance standards.
- “Works with iPhone” means that an electronic accessory has been designed to connect specifically to iPhone and has been certified by the developer to meet Apple performance standards.
- Apple is not responsible for the operation of this device or its compliance with safety and regulatory standards.

Specifications subject to change without notice.



This symbol mark indicates that Kenwood manufactured this product so as to decrease harmful influence on the environment.

KENWOOD