

KENWOOD

COMPACT HI-FI COMPONENT SYSTEM

C-BX3

INSTRUCTION MANUAL

JVC KENWOOD Corporation

Glass inside

ENGLISH

FRANÇAIS

DEUTSCH

NEDERLANDS

ITALIANO

ESPAÑOL

SRS
StudioSound **HD**

Made for
 iPod  iPhone

GVT0349-001A [E]

Warnings, Cautions and Others

⚠ CAUTION

The **⏻/I** button in any position does not disconnect the mains line. Disconnect the mains plug to shut the power off completely (the **STANDBY** lamp goes off). The **MAINS** plug or an appliance coupler is used as the disconnect device, the disconnect device shall remain readily operable.

- When the System is on standby, the **STANDBY** lamp lights red.
- When the System is turned on, the **STANDBY** lamp goes off. The power can be remote controlled.

⚠ CAUTION

To reduce the risk of electrical shocks, fire, etc.:

1. Do not remove screws, covers or cabinet.
2. Do not expose this appliance to rain or moisture.

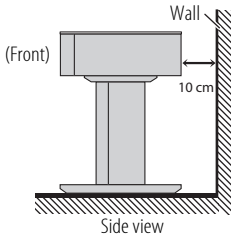
⚠ CAUTION

Battery shall not be exposed to excessive heat such as sunshine, fire or the like.

⚠ CAUTION: Proper Ventilation

To avoid risk of electric shock and fire, and to prevent damage, locate the apparatus as follows:

1. Front: No obstructions and open spacing.
2. Sides/Back: No obstructions should be placed in the areas shown by the dimensions below.
3. Bottom: Place on the level surface.



⚠ CAUTION

- Do not block the ventilation openings or holes. (If the ventilation openings or holes are blocked by a newspaper or cloth, etc., the heat may not be able to get out.)
- Do not place any naked flame sources, such as lighted candles, on the apparatus.
- When discarding batteries, environmental problems must be considered and local rules or laws governing the disposal of these batteries must be followed strictly.
- Do not expose this apparatus to rain, moisture, dripping or splashing and that no objects filled with liquids, such as vases, shall be placed on the apparatus.
- Do not apply strong force or hit a hard material on the top glass; otherwise, the top glass may be broken and injury may result.
- Do not drag or push the main unit/stand base on the floor or table. Otherwise the foot spacers at the bottom of the main unit/stand base may peeled off or drop.

⚠ CAUTION

- Do not place a device weighing more than 20 kg on the apparatus. Doing so may result in the device to falling down or the apparatus to toppling over, and injury may result.
- Do not place a TV on the edge of the apparatus; otherwise, the apparatus may topple over or break, and injury may result.
- Do not apply strong force or hit a hard material on the top glass. The top glass is made of tempered glass. However, incorrect usage may result in the glass being broken and injury may result. Do not scratch the glass with a sharp material. If a scratch remains on the tempered glass for a long period, the glass may eventually break by itself. If the glass is scratched, contact your dealer.
- Assemble the apparatus with two or more persons. Otherwise, backache or injury may result since the apparatus is heavy. Be careful not to catch your fingers between the parts. Be sure to tighten the screws securely on each part to maintain the strength; otherwise, the apparatus may topple over, and injury may result.
- Be careful about following when moving the apparatus.
 - Remove any items on the top of the apparatus before moving it.
 - Do not hold the top glass when you move the apparatus, or injury may result.
 - Before moving the apparatus, turn the power off and remove the connection cords of any connected devices; otherwise, an accident may result.
- Do not climb on to or sit on the apparatus; otherwise, the apparatus may toppled over, and injury may result. Be especially careful where children are concerned. Do not place a device weighing more than 20 kg on the apparatus.
- Take measures to prevent the apparatus from falling down or toppling over. The apparatus or devices such as TVs may fall down and injury may result due to an accident such as an earthquake. Be sure to take appropriate measures.



Declaration of Conformity with regard to the EMC Directive 2004/108/EC

Manufacturer:

JVC KENWOOD Corporation
3-12, Moriyacho, Kanagawa-ku, Yokohama-shi,
Kanagawa, 221-0022, Japan

EU Representative's:

Kenwood Electronics Europe BV
Amsterdamsesweg 37, 1422 AC UITHOORN,
The Netherlands

Information on Disposal of Old Electrical and Electronic Equipment and Batteries (applicable for EU countries that have adopted separate waste collection systems)



Products and batteries with the symbol (crossed-out wheeled bin) cannot be disposed as household waste.



Old electrical and electronic equipment and batteries should be recycled at a facility capable of handling these items and their waste byproducts.



Pb

Contact your local authority for details in locating a recycle facility nearest to you. Proper recycling and waste disposal will help conserve resources whilst preventing detrimental effects on our health and the environment.

Notice: The sign "Pb" below the symbol for batteries indicates that this battery contains lead.

CONTENTS

Warnings, Cautions and Others..... 2

Introduction 4
 Playable iPod models..... 4
 Notes on handling..... 4
 Part list and supplied accessories..... 5

Getting started 5
 Unpacking and assembling the system..... 5
 Placing the system..... 5
 About measures to prevent falling down and toppling over..... 6
 Preparing the remote control..... 6
 Using the core filter..... 7
 Connecting the TV — viewing the video/picture from iPod on your TV..... 7
 Connecting external components..... 7
 Connecting the DC power cord..... 8

Operations..... 8
 Basic operation..... 8
 Adjusting the sound level..... 9
 Using the surround mode..... 9
 Playing back iPod..... 9
 Buttons and lamps on the front panel..... 10

Troubleshooting 11

Specifications 11

Introduction

Auto power save function

When no operation is done in certain situations for 29 minutes, the unit turns off automatically. This function is on at the initial setting. For details, refer to "Operations."

In this manual, the remote control buttons are used for explaining the operations unless mentioned otherwise. However, if the System has the same or similar button names, they can also be used for the operations.

Playable iPod models

- Compatible iPod:

Made for	Audio	Video
iPod nano (6th generation)	✓	✓ *1
iPod nano (5th generation)	✓	✓
iPod nano (4th generation)	✓	✓
iPod nano (3rd generation)	✓	✓
iPod nano (2nd generation)	✓	—
iPod touch (4th generation)	✓	✓
iPod touch (3rd generation)	✓	✓
iPod touch (2nd generation)	✓	✓
iPod touch	✓	✓
iPod classic	✓	✓
iPhone 4S	✓	✓
iPhone 4	✓	✓
iPhone 3GS	✓	✓
iPhone 3G	✓	✓

*1 Only for still picture

- Also refer to the instruction manual for iPod.
- If incompatible iPod is connected, NOT SUPPORT scrolls on the display, then NO SUPP appears.
- If iPod does not play correctly, update iPod software to the latest version.
- For details about updating iPod, check on the Apple web site <<http://www.apple.com/>>.
- For the latest information on compatible iPod models, check on our web site.

In this manual, "iPod" refers to iPod, iPod touch and iPhone devices. When iPod touch or iPhone device is referred to directly, "iPod touch" or "iPhone" is used.

Notes on handling

Important cautions

Installation of the System

- Select a place which is level, dry, and neither too hot nor too cold; between 5°C and 35°C.
- Do not use the System in a location near heat sources, or in a place subject to direct sunlight, excessive dust, or vibration.
- Install the System in a location with adequate ventilation to prevent internal heat buildup.

Power cord

- Do not handle the power cord with wet hands.
- A small amount of power is always consumed while the power cord is connected to the wall outlet.
- Do not pull on the cord to unplug the power cord. When unplugging the power cord, always grasp and pull the plug so as not to damage the cord.

To prevent malfunctions of the System

- There are no user-serviceable parts inside. If anything goes wrong, unplug the power cord and consult your dealer.
- Do not insert any metallic objects or liquids into the System.

Safety precautions

Avoid malfunction and/or injury

- Do not let children climb up or let anyone sit on top of the System.
- Do not place anything heavier than 20 kg on top of the System.

Avoid moisture, water, and dust

Do not place the System in moist or dusty places.

Avoid high temperatures

Do not expose the System to direct sunlight and do not place it near any heating devices.

When you are away

When away on holiday or for other reasons for an extended period of time, disconnect the power cord from the wall outlet.

Do not block the vents

Blocking the vents may damage the System.

Care of the glass top

- Use only cleaning materials which are free of grit and debris to avoid scratching and marking of the glass surface.
- Use only detergents and cleaning solutions which are recommended for cleaning glass should be used.

Care of the cabinet

- Stains on the System should be wiped off with a soft cloth. If the System is heavily stained, wipe it with a cloth soaked in water diluted neutral detergent and wrung well, then wipe clean with a dry cloth.

Getting started

DO NOT connect the power cord until all other connections have been made.

Unpacking and assembling the system

For details, refer to “How to assemble the system” on a separate manual.

Placing the system

- Be careful of the following when placing the system.
 - Leave 10 cm or more space between the rear of the system and the wall.
 - Place the system on a level surface and alongside a wall. Do not place the system on an unstable place.
 - The AC adaptor should not be hanging/placed above any other item. Place the AC adaptor on the flat floor only.
- Be careful of the following when placing a TV or other devices.
 - Place a TV with more than two persons, and be careful not to catch your fingers between the system and the TV.
 - See also the supplied instructions and confirm the safety cautions for each device when placing the device.
 - Do not place a device weigh more than 20 kg.
 - Place a device (such as a TV) so as not to protrude from the top glass. If the device is not placed on the center (ex. the base of the TV is protruding), it may cause the device to fall down or the system to topple over, and injury may result.
 - Place a device (such as a TV) on the center of the top glass.
 - When moving the device placed on the top glass, lift it up and move it. Dragging it may damage the top glass.



- Do not climb on to or sit on the system.
- Do not place any object filled with liquids such as vases.
- When you place an object on the system, see also “Warnings, Cautions and Others”.

You can use the system without attaching the stand. In this case, place the main unit on the audio rack, etc.

- Since the System may deteriorate in quality, become damaged or get its paint peeled off, be careful about the following:
 - DO NOT wipe it forcefully.
 - DO NOT wipe it with thinners, benzines or other organic solvents including disinfectants.
 - DO NOT apply any volatile substances such as insecticides to it.
 - DO NOT allow any rubber or plastic to remain in contact with it for a long time.
- The manufacturer accepts absolutely no liability for any accidents or damage resulting from inadequate assembly or mounting, insufficient strength of attachment, misuse or abuse, or natural disasters.

If water gets inside the System

Turn the System off and disconnect the power cord from the wall outlet, then call the store where you purchased this System. Using the System in this condition may cause a fire or electrical shock.

Part list and supplied accessories

Check to make sure you have all of the parts for main system and supplied accessories.

If anything is missing, contact your dealer immediately.

Parts for main system:

- Main body (× 1)
- Top glass (× 1)
- Stand system:
 - (Refer to “How to assemble the system” on a separate manual.)
- Strap band (× 1)
- Screw (for strap band) (M5 × 10 mm) (× 1)

Supplied accessories:

- AC adaptor (AC-190337A) (× 1)
- AC power cord (× 1)
- Digital optical cord (× 1)
- Remote control RC-F0325E (× 1)
- Lithium coin battery CR2025 (× 1)
 - The battery has been installed in the remote control when shipped from the factory.
- Core filter (large × 1, small × 2)
- Adhesive tape (× 2)
 - For holding the power cord at the bottom of the stand base. For details, refer to “Connecting the DC power cord.”

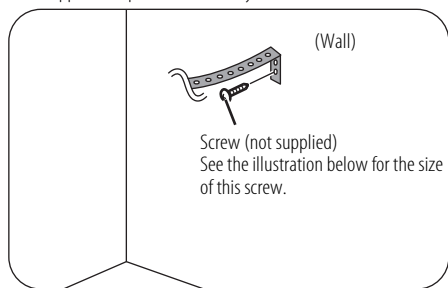
Getting started (continued)

About measures to prevent falling down and toppling over

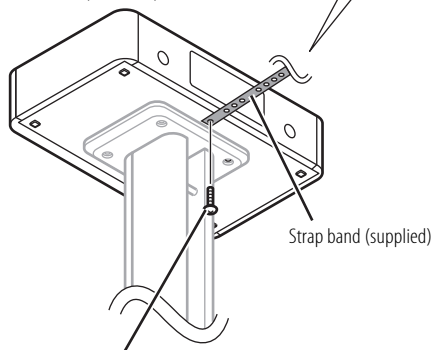
- Be sure to take measures to prevent falling down and toppling over due to earthquakes (for both the system and the device placed on the system).
- The effectiveness of measures to prevent falling down and toppling over may be decreased depending on the strength of the wall. In such cases, reinforce the measures appropriately.
- The measures to prevent falling down and toppling over are intended for reducing the risk of injury, but may not be effective for all earthquakes.

To prevent the system from falling down and toppling over

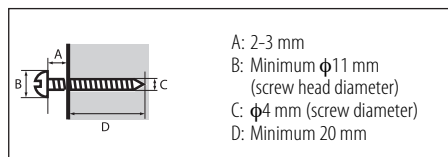
Use the supplied strap band to fix the system to the wall.



Rear side (Main unit)



Screw (M5 × 10 mm) (supplied)



To prevent the TV from falling down or toppling over

When you place a TV on the system, see the instructions supplied for your TV and fix the TV to the wall. Do not fix the TV to the system.

- When you fix your TV to the wall, use appropriate screws, string or chains separately purchased and suitable for the quality of the wall.
- The wall should have sufficient strength to fix your TV. Consult the contractor of the structure regarding the strength of the wall.

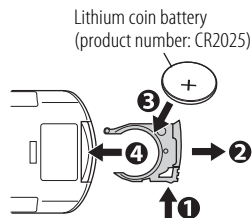
Preparing the remote control

When you use the remote control for the first time, pull out the insulation sheet.

If the range or effectiveness of the remote control decreases, replace the battery.

To replace the battery in the remote control

Insert the battery into the remote control by matching the polarities (+ and -) correctly.



CAUTION

Danger of explosion if battery is incorrectly replaced.
Replace only with the same or equivalent type.



- Store the battery in a place where children cannot reach. If a child accidentally swallows the battery, consult a doctor immediately.
- To prevent the battery from overheating, cracking, or starting a fire:
 - Do not recharge, short, disassemble or heat the battery, or dispose of it in a fire.
 - Do not leave the battery with other metallic materials.
 - Wrap the battery with tape and insulate when throwing away or saving it.
 - Do not poke the battery with tweezers or similar tools.
- Dispose of the battery in the proper manner, according to federal, state, and local regulations.

Using the core filter

To reduce interference, be sure to attach the provided core filters to the power cord and the external component cord.

Run the cable through the core filter, and wind it firmly once inside. Close the core filter until it clicks shut. (You can wind the cords together.)

Core filter (large)

RCA pin plug cord (to SUBWOOFER PRE-OUT terminal)

Audio cord (to ANALOG IN terminal)



Composite video cord (to VIDEO OUT terminal)

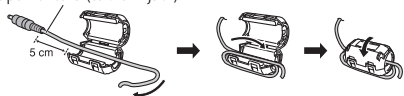
Core filter (small)

Digital coaxial cord (to DIGITAL IN 2 terminal)



Core filter (small)

DC power cord (to DC IN jack)



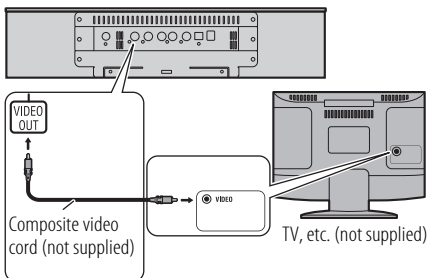
⚠ CAUTION

Do not damage the cord by applying expressive force when winding.

Connecting the TV — viewing the video/picture from iPod on your TV

You can view a video/picture from iPod connected to the unit on your TV. Connect the video input terminal on your TV, etc. to the VIDEO OUT terminal with the video cord (not supplied).

Rear of the unit



Setting the video output

While the source is selected to IPOD and iPod is not connected to the unit...

Press and hold iPod ►/■ (main unit).

Each time you press and hold the button, VIDEO OFF and VIDEO ON scroll on the display.

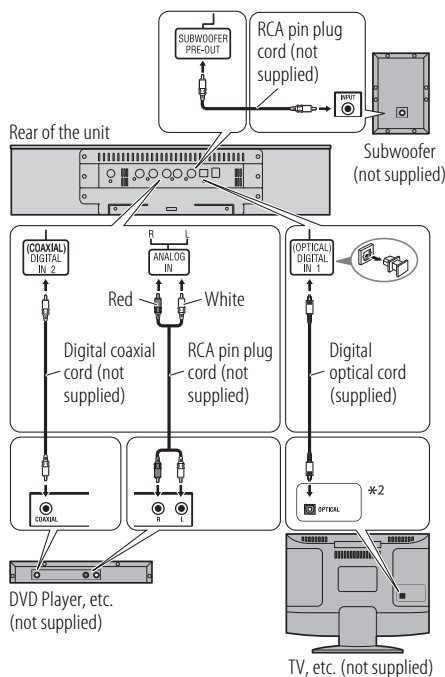
VIDEO OFF : The video/picture from iPod is shown on iPod itself.

VIDEO ON : The video/picture from iPod is shown on the TV.

Connecting external components

You can connect an analog component to the ANALOG IN terminal and digital components to the (OPTICAL) DIGITAL IN 1 and (COAXIAL) DIGITAL IN 2 terminals.

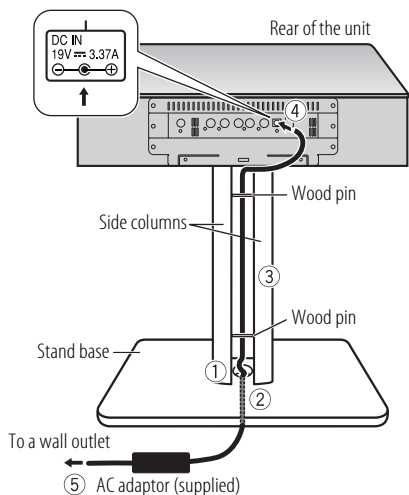
You can also connect a subwoofer to the SUBWOOFER PRE-OUT terminal.



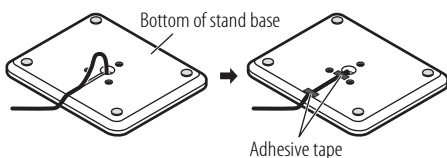
*2 Make the setting on TV, DVD player, etc. to output the Linear PCM signal.

Getting started (continued)

Connecting the DC power cord



- 1 Insert the DC power cord into the hole on the center of the stand base.
- 2 Lace the DC power cord into the groove at the bottom of the stand base. Then, stick the supplied adhesive tapes at the recommended positions (as illustrated below) to hold the power cord.



- 3 Align the DC power cord in between the side columns.
- 4 Connect the AC adaptor to the DC IN jack on the rear of the unit.
- 5 Plug the AC power cord (supplied) into a wall outlet.

⚠ CAUTION

- Make sure the DC power cord is firmly laced in the groove, otherwise, it may cause the stand to be unstable.
- Disconnect the power cord before cleaning or moving the unit.
- Do not place the AC adaptor in the column.
- To avoid the risk of fire and to prevent damage,
 - Do not use any AC adaptors other than the one supplied.
 - Do not use the supplied AC adaptor for other equipment.

Operations



Basic operation

Turning on/off the power

Press **⏻/⏿**.



- A small amount of power is consumed even when the power is turned off (standby mode). During standby mode, the STANDBY indicator lamp on the front panel lights up. Unplug the power cord from the AC outlet to turn the power off completely.
- You can also turn on the power by pressing one of the input buttons (DIGITAL1, DIGITAL2, ANALOG, or iPod **▶/||**).

Activating/deactivating APS (Auto Power Save)

The System automatically turns off to save the power.

Press and hold APS.

Each time you press and hold the button for 2 seconds, Auto Power Save is toggled on or off (APS ON or APS OFF scrolls on the display).

- The System automatically turns off to save the power when one of the following situations continues for 29 minutes:
 - For all sources:
 - When the volume is set to 0.
 - When muting is activated.
 - For DIGITAL 1/DIGITAL 2:
 - When the optical cord or coaxial cord is not connected, or there is no signal.
 - For iPod:
 - When iPod is not connected to the unit.

When one of the situations occurs...

The APS indicator is shown for 1 second every 1 minute and starts flashing 30 seconds before the System turns off.

Selecting the input source

Press one of the input buttons (DIGITAL1, DIGITAL2, ANALOG) to select the input source.

- DIGITAL1 (for the optical connection)
- DIGITAL2 (for the coaxial connection)
- ANALOG (for the analog connection)

Adjusting the volume

Press VOLUME +/-.

Adjusts the volume within the range of 0 (MIN) to 40 (MAX).

⚠ CAUTION

Set the volume to the minimum level before starting any source. If the volume is set to a high level, the sudden blast of sound may damage your hearing and blow out the speakers.

Turning off the sound temporarily

Press MUTING.

- To restore the sound, press the button again or press VOLUME + to adjust the volume.

Maintaining steady volume level

You can set your desired volume level for different input sources to avoid volume fluctuation when changing from one source to the other—TruVolume (TVOL).

Press TVOL.

Each time you press the button, TruVolume is turned on and off (TVOL ON and TVOL OFF scroll on the display).

Changing the display brightness

Press DIMMER.

Each time you press the button, the display brightness changes with the following scrolling message:

DIMMER OFF (normal) ➔ DIMMER 1 (darker) ➔ DIMMER 2 (darkest)

Adjusting the sound level

You can adjust the bass and treble sound level within the range of -3 to +3.

1 Press BASS/TREBLE repeatedly to select the sound you want to adjust.

Each time you press the button, BASS and TREBLE alternates on the display.

– BASS: Adjusts the bass sound level.

– TREBLE: Adjusts the treble sound level.

2 Press UP or DOWN to adjust the level.



The change in the bass and treble sound level of the speakers differ depending on the incoming signal of the input source.

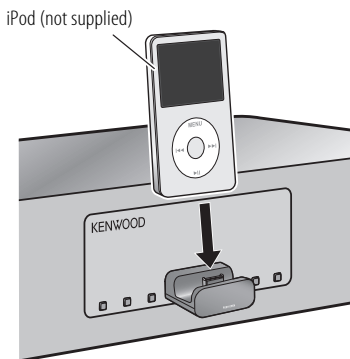
Using the surround mode

You can listen to a more realistic sound than stereo sound using surround—StudioSound HD (SSHHD).

Press SSHHD.

Each time you press the button, surround mode is toggled on or off (SSHHD ON or SSHHD OFF scrolls on the display).

Playing back iPod



Connecting iPod

While the power of the main unit is turned off...

- 1** Push the tray (8) to open the dock for iPod.
- 2** Connect iPod to the connector.

- You cannot connect iPod to the unit if it is covered by something or with accessories attached. Remove them before connecting.
- Keep iPod in a straight position while connecting/disconnecting it.
- Do not carry the unit with iPod connected. It might cause damage to the dock for iPod or you might drop iPod.
- Do not touch or hit the iPod terminal pins or connector pins in the dock for iPod directly. Doing so might cause damage to the connector pins.
- While the power is turned on, iPod can be charged.

Playing back

Press iPod ▶/||.

- While the power is turned off, simply pressing iPod ▶/|| turns on the power and plays back iPod.

Operations (continued)

Pausing/resuming playback

Press iPod ►/||.

Skipping forward/back

Press and hold ►► or ◀◀.

Skipping to the next track

Press ►►.

Skipping back to the previous track

Press ◀◀ twice or more repeatedly.

Returning to the beginning of the track

Press ◀◀ once.

Putting iPod in sleep mode

Press and hold iPod ►/||.

Displaying a menu/Returning to the previous menu

Press MENU.

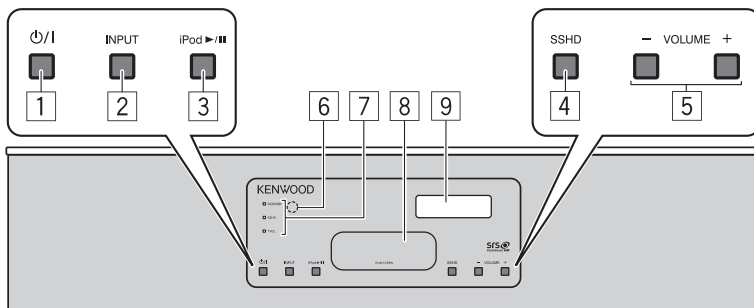
Selecting an item on the menu

Press UP or DOWN, then press SELECT.



- Operate iPhone or iPod touch itself in the following cases:
 - When operating the home button.
 - When selecting application icons on the home screen.
 - When dragging the slider.
- Sound distortion may occur when playing back audio sources with high recording levels. If distortion occurs, it is recommended to turn off the equalizer of iPod.
- You can select the video signal format (NTSC or PAL) in the setting menu on iPod.

Buttons and lamps on the front panel



1 **⏻/I (power) button**

2 **INPUT button**

Press the button repeatedly to select the input source (DIGITAL 1 (DGTL1), DIGITAL 2 (DGTL2), ANALOG).

3 **iPod ►/|| button**

Press the button to play back iPod.

4 **SSHD button**

Press to turn on/off StudioSound HD.

5 **VOLUME +/- buttons**

Adjusts the volume within the range of 0 (MIN) to 40 (MAX).

6 **Remote sensor**

Receives the signal from the remote control.

7 **STANDBY indicator lamp**

Lights up while the power is turned off.

SSHD indicator lamp

Lights up while StudioSound HD is activated.

TVOL indicator lamp

Lights up while TruVolume is activated.

8 **Tray for iPod dock**

Push the tray to open the dock for iPod.

9 **Display**

Shows the volume level, the current source and the settings.

Troubleshooting

If you have a problem with this System, check this list for a possible solution before calling for service.

Power

Power does not come on.

→ The power cord is not inserted securely. Plug it in securely.

The unit suddenly turns off.

→ Auto power save function is on. Refer to "Activating/deactivating APS (Auto Power Save)" in "Basic operation."

Remote control

The remote control does not work.

- Pull out the insulation sheet.
- Sunlight is shining directly on the remote sensor. Hide the remote sensor from direct sunlight.
- The path between the remote control and the remote sensor on the front panel is blocked.
- Point the remote control at the remote sensor on the front panel.
- Signals cannot reach the remote sensor. Move closer to the unit.
- The battery is exhausted. Replace the battery.

External components

No sound can be heard when DIGITAL 1 or DIGITAL 2 is selected as a source.

→ Check the output setting of the connected digital components.
Set the output setting to PCM signal. (Refer to "Specifications" for more information.)

iPod

iPod cannot be connected firmly.

→ Check to see whether the connector between iPod and the unit is not damaged, and connect it.

iPod does not provide sound.

→ iPod is not properly connected. Remove iPod from the unit, and then connect it again.

iPod cannot be charged.

→ iPod is not properly connected. Remove iPod from the unit, and then connect it again. After connecting iPod, turn on the power again.

Specifications

Output Power : 30 W + 30 W RMS (1 kHz, 10% T.H.D., 4 Ω)

Audio section

Input Terminals : ANALOG IN : 1 V/50 kΩ

Digital Input Terminals* :

DIGITAL IN 1 (OPTICAL) : -21 dBm to -15 dBm (660 nm ±30 nm)

DIGITAL IN 2 (COAXIAL) : 0.5 V_{p-p}/75 Ω

Output Terminals : SUBWOOFER PRE-OUT : 400 mV/10 kΩ

Speaker section

Type : Bass-Reflex Type

Speaker : 80 mm cone × 2

Impedance : 4 Ω

Frequency Range : 50 Hz to 25 kHz

Sound Pressure Level : 84 dB/W•m

General

Power Source (DC IN) : DC 19 V \approx 3.37 A

AC Adaptor (AC-190337A) :

Input : AC 110 – 240 V \sim , 50 Hz/60 Hz, 1.5 A – 0.9 A

Output : DC 19 V \approx 3.37 A

Power Consumption : 0.5 W or less (in Standby mode)

Dimensions (W × H × D) :

Whole system (assembled) : 500 mm × 550 mm × 400 mm

Main unit (with top glass) : 500 mm × 110 mm × 300 mm

Weight (nett) :

Whole system (assembled) : 13.2 kg

Main unit (with top glass) : 8.0 kg

Maximum loadable weight : 20.0 kg

iPod

Output Power : DC 5 V \approx 1 A

Video Out (VIDEO OUT) : Composite

* Corresponding to Linear PCM only (with sampling frequency — 32 kHz, 44.1 kHz, 48 kHz)

– When an audio signal other than Linear PCM comes in, NONPCM appears on the display.

Design and specifications are subject to change without notice.



- **StudioSound HD** is a trademark of SRS Labs, Inc.
- StudioSound HD technology is incorporated under license from SRS Labs, Inc.
- SSHD: StudioSound HD by SRS Labs, Inc. SRS StudioSound HD™ provides an immersive and engaging surround sound experience, while maintaining steady volume and delivering rich bass and clear dialog.
- TVOL: TruVolume by SRS Labs, Inc. SRS TruVolume™ maintains a steady volume, allowing listeners to set their desired volume level once to enjoy television, music and all other content without annoying volume fluctuations.

- “Made for iPod” and “Made for iPhone” mean that an electronic accessory has been designed to connect specifically to iPod or iPhone, respectively, and has been certified by the developer to meet Apple performance standards. Apple is not responsible for the operation of this device or its compliance with safety and regulatory standards. Please note that the use of this accessory with iPod or iPhone may affect wireless performance.
- iPhone, iPod, iPod classic, iPod nano and iPod touch are trademarks of Apple Inc., registered in the U.S. and other countries.

KENWOOD