

# COMMUNICATIONS MICROPHONE

## MC-60A

INSTRUCTION MANUAL

### ■ FEATURES

The MC-60A microphone is designed expressly for use with your amateur communication system. It provides excellent performance when used with any KENWOOD transceiver, thereby upgrading your existing system.

The zinc die-cast base offers high stability, and is complete with a feather-touch PTT switch, rocker UP/DOWN switch, an impedance selector switch and a built-in preamplifier.

**NOTE:** For UP/DOWN switch operation, refer to your transceiver's manual.

### CAUTION:

1. The microphone is constructed of precision parts. Do not open the microphone, as it may result in serious damage.
2. The microphone is sensitive to shock and vibration. Treat it gently.

### ■ INSTALLATION

#### 1. Battery Installation (Fig. 2)

1. Remove four screws as shown.
2. Install two alkaline AA cells (not NiCd). Observe polarity.
3. Reassemble base unit.

**NOTE:** 1. Radios with power available at the mic connector (for autopatch microphones) will not require batteries.

2. The preamp on/off switch is located on the underside of the base unit. The preamp is on in the forward switch position.

#### 2. Connection to your transceiver.

1. Slide the microphone into the plastic bracket.
2. Connect the short base mounted cable to the rear of the microphone.
3. Connect the retractile cord from the base to the transceiver.
4. The microphone may also be used separate from the base unit, by connecting the retractile cord directly to the mic. However, the preamp is located in the base unit. Preamped operation is not possible with a direct transceiver hookup.

5. The MC-60A is supplied with a standard PG-4C 8 pin to 8 pin retractile cord. For radios with a four pin mic connector, use a PG-4A (4 pin to 8 pin) option cord. For radios with a six pin mic connector, use a PG-4B (6 pin to 8 pin) option cord.



### ■ OPERATION

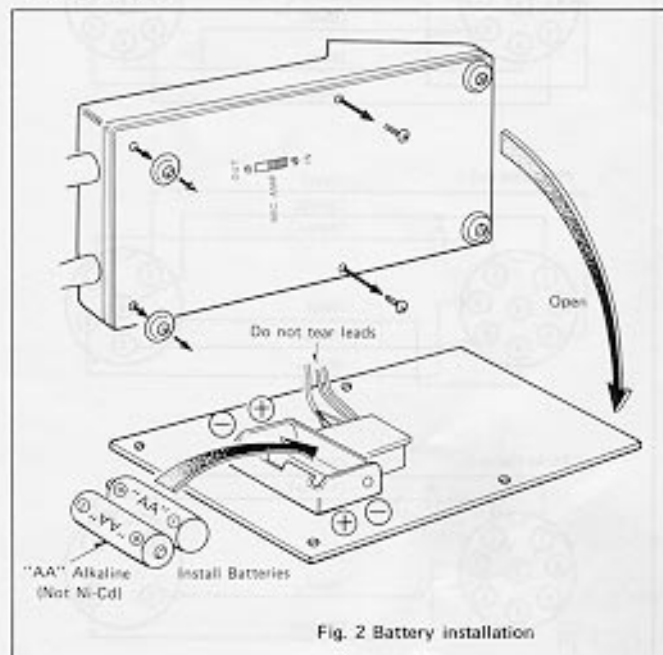
The MC-60A is equipped with a PTT switch for easy transmit/receive changeover. The PTT switch can be locked, if desired by pressing the Lock key. To unlock the switch, simply press the Lock key once again. The Mic on/off, Lock, and PTT switches are all in parallel.

#### • Connection

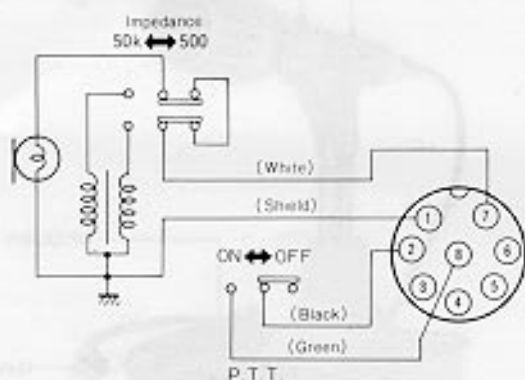
To operate the microphone without using the stand, connect the retractile cord directly to the microphone, and use the slide-switch on the microphone for transmit/receive changeover.

#### • Impedance selection

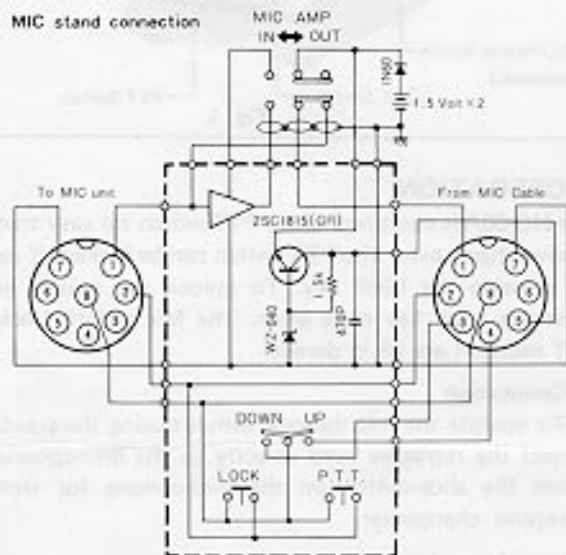
The microphone impedance is selectable between 500 $\Omega$  and 50k $\Omega$  by using the slide-switch on the microphone regardless of whether the stand is used. Most Trio-Kenwood HF products are 50k $\Omega$ . Some will operate from 500–50k $\Omega$ . All VHF and UHF mobile radios are 500 $\Omega$  impedance.



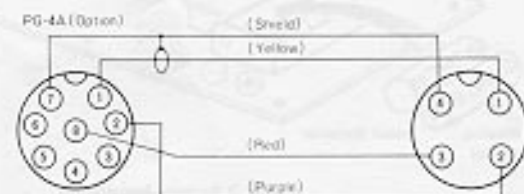
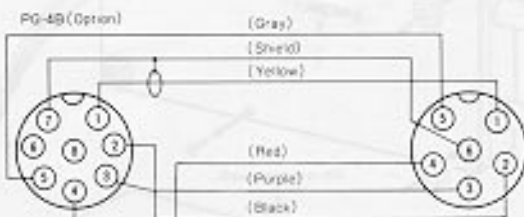
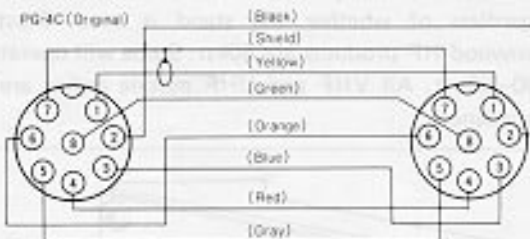
### MIC unit connection



### MIC stand connection



### MIC cable connection



- **UP/DOWN switch**

The UP/DOWN switch on the base is used to select the transceiver's operating frequency.

- **Microphone Preamp**

This microphone may be used with any Trio-Kenwood radio. It is intended especially for FM and SSB mobile radios. The preamp is controlled by the bottom mounted switch on the base unit. Sliding the switch forward places the preamp on. Sliding the switch to the rear bypasses the preamp and disconnects the batteries. With the preamp switch on, power is always on so the microphone may be used with VOX operated equipment.

**NOTE:** To conserve battery power, turn the preamp off when not in use. (The amplifiers draw approximately 1 ma.)

## ■ SPECIFICATIONS

Type: Communication type dynamic microphone with PTT circuit.

Element: Moving coil type, unidirectional

Impedance: Dual impedance (1000 Hz)  
50 kΩ ± 30%, 500 Ω ± 30%  
slide switch selectable

Sensitivity: (0 dB = 1V/μ BAR, 1000 Hz)

Microphone -54.5 dB ± 3dB/50 kΩ

-71.0 dB ± 3dB/500Ω

Preamp out -56.0 dB ± 3dB/50kΩ

-71.0 dB ± 3dB/500Ω

Preamp in -50.5 dB ± 3dB/50kΩ

-59.0 dB ± 3dB/500Ω

Frequency response:

Microphone, or

Preamp off 150 Hz - 10 kHz (-6 dB)

Preamp in 200 Hz - 7 kHz (-6 dB)

Recommended operating

distance to mic.: 10 cm (4") minimum

## KENWOOD CORPORATION

Shonogi Shibuya Building, 17-5, 2-chome Shibuya, Shibuya-ku, Tokyo 150, Japan

KENWOOD U.S.A. CORPORATION

P.O. BOX 22745, 2201 East Dominguez St., Long Beach, CA 90801-5745, U.S.A.

KENWOOD ELECTRONICS DEUTSCHLAND GMBH

Rembrücker Str. 15, 6056 Heusenstamm, West Germany

KENWOOD ELECTRONICS BENELUX N.V.

Michelsesteenweg 418 B-1930 Zaventem, Belgium

KENWOOD ELECTRONICS AUSTRALIA PTY. LTD.

(INCORPORATED IN N.S.W.)

4E, Woodcock Place, Lane Cove, N.S.W. 2066, Australia